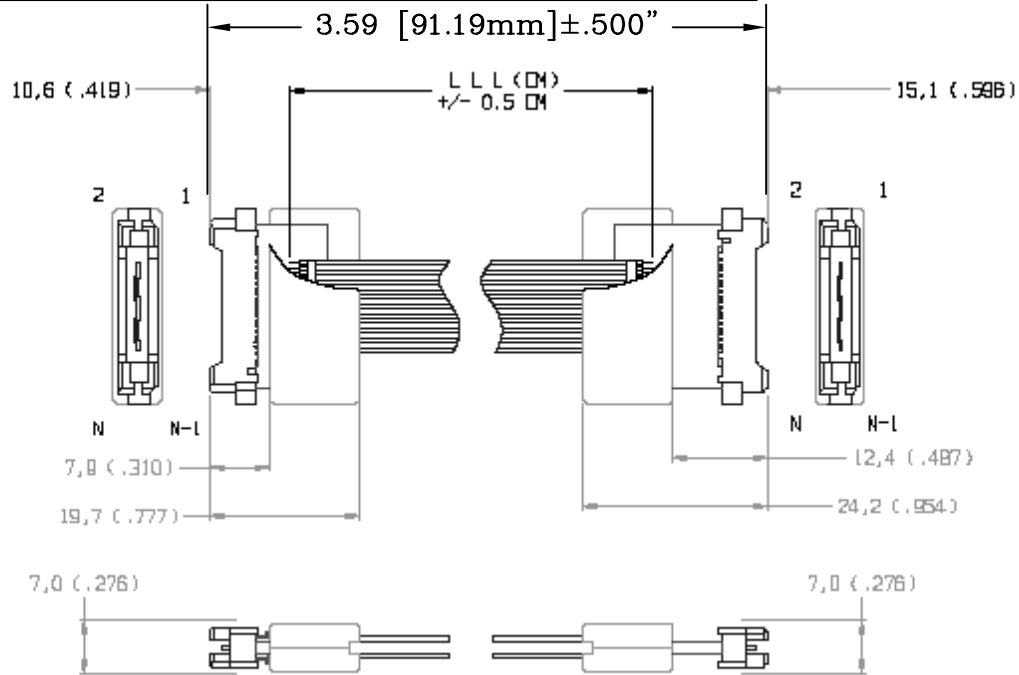


REV	DESCRIPTION	DATE	BY
A	NEW DRAWING	04/27/05	H.N.

F7469

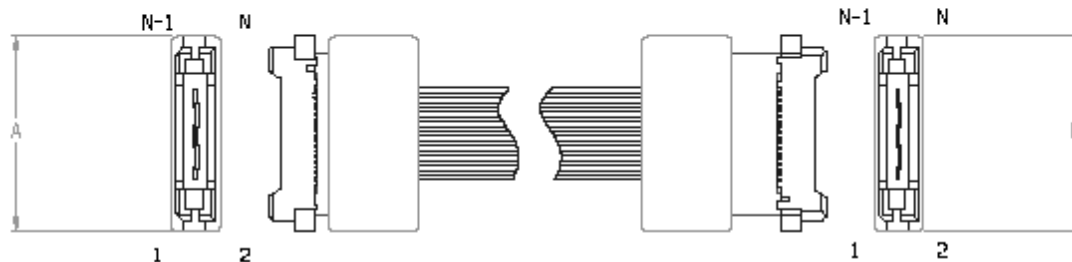


A = 25.55mm (1.006)
 C = 25.55mm (1.006)
 L L L = 59.94mm (2.36)

SIGNAL
 END-TO-END WIRING

MICROR PLUG

MICROR PLUG



SIDE 1		SIDE 2
1	—	1
2	—	2
N-1	—	N-1
N	—	N

NOTES:

- THIS IS A CONFIGURED ASSEMBLY
- SKREW IS 100 μm ± .5 METER TYPICAL.
- RISE TIME (MAX) 275 PICOSECONDS ± .5 METER.
- CROSSTALK (MAX) -15dB @ 500 MHZ AND .5 METER.
- RETURN LOSS (MAX): -15 dB @ 500 MHZ AND .5 METER.
- INSERTION LOSS (MAX): -2 dB @ 500 MHZ AND .5 METER.
- TEMPERATURE: OPERATE: 0 TO 50° C. STORAGE: -10 TO 75 °C.
- HUMIDITY: OPERATE: 90% AT 40°C 3 DAYS. STORAGE: 95% AT 50°C 4 DAYS
- TENSILE > 178 N (40 LBS) PER TWO-RIBBON PAIR AXIAL
- TENSILE > 89 N (20 LBS) PER TWO-RIBBON PAIR, NORMAL
- FLEXURAL LIFE: 50K W/ 2,2 N (8 OZ) LOAD ± 90°
- LATERAL FLEXURE: 5K W/ 2,2 N (8 OZ) LOAD ± 35°
- CRUSH > 1000 CYCLES AT 356 N (80 LB) LOAD- NO SHORTS/OPENS
- CRUSH (TOR) > 65 CYCLES- NO CHANGE
- SEE CHART FOR PIN-OUT



Emulation Technology, Inc.

— VLSI and SMT ADAPTERS and ACCESSORIES —

2344 Walsh Avenue, Bldg.F Santa Clara, Ca 95051
 TEL:(408)982-0660 FAX:(408)982-0664

SHEET: 1 OF 1	DATE: 04/27/05	REVISION: A	ASSEMBLY DRAWING
CHECKED: Perry Munroe	DRAWN: Huy Nguyen	ITEM: MIC-38-CABLEMM3	DESCRIPTION: MIC-38-CABLE-MM-3
Scale N/A	DO NOT SCALE DRAWING		