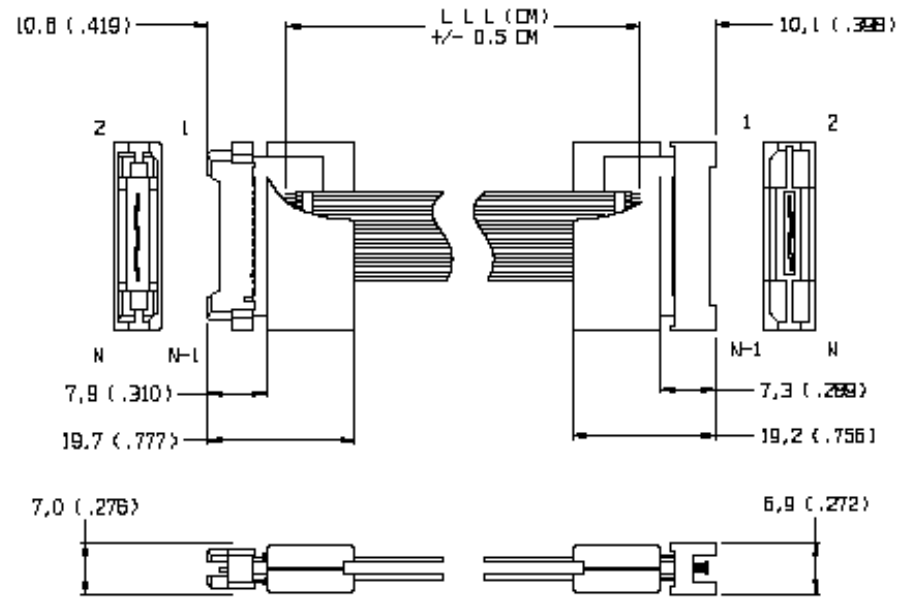


REV	DESCRIPTION	DATE	BY
A	NEW DRAWING	01/27/05	H.N.

F7419

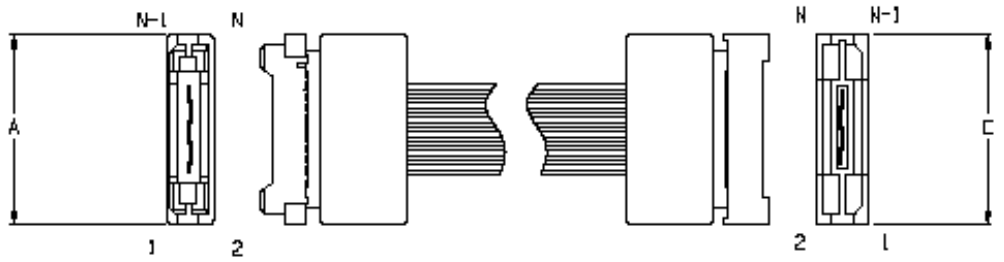


A = 25.55mm (1.006)
 C = 25.55mm (1.006)
 L L L = 228.60mm (9.000)

SIGNAL
 END-TO-END WIRING

MICROR PLUG

MICROR RECEPTACLE



SIDE 1		SIDE 2
1	---	1
2	---	2
N-1	---	N-1
N	---	N

NOTES:

- THIS IS A CONFIGURED ASSEMBLY
- SKEN IS 100 μm ± .5 METER TYPICAL.
- RISE TIME (MAX) 275 PICOSECONDS ± .5 METER.
- CROSSTALK (MAX) -15dB ± 500 MHZ AND .5 METER.
- RETURN LOSS (MAX): -15 dB ± 500 MHZ AND .5 METER.
- INSERTION LOSS (MAX): -2 dB ± 500 MHZ AND .5 METER.
- TEMPERATURE: OPERATE: 0 TO 50° C. STORAGE: -10 TO 75 °C.
- HUMIDITY: OPERATE: 90% AT 40°C 3 DAYS, STORAGE: 95% AT 50°C 4 DAYS
- TENSILE > 178 N (40 LBS) PER TWO-RIBBON PAIR AXIAL
- TENSILE > 89 N (20 LBS) PER TWO-RIBBON PAIR, NORMAL
- FLEXURAL LIFE: 50K W/ 2,2 N (8 OZ) LOAD +/- 90°
- LATERAL FLEXURE: 5K W/ 2,2 N (8 OZ) LOAD +/- 35°
- CRUSH >1000 CYCLES AT 356 N (80 LB) LOAD- NO SHORTS/OPENS
- CRUSH (TOR) >65 CYCLES- NO CHANGE
- SEE CHART FOR PIN-OUT



Emulation Technology, Inc.
 — VLSI and SMT ADAPTERS and ACCESSORIES —
 2344 Walsh Avenue, Bldg.F Santa Clara, Ca 95051
 TEL:(408)982-0660 FAX:(408)982-0664

SHEET: 1 OF 1	DATE: 01/27/05	REVISION: A	ASSEMBLY DRAWING
CHECKED: Perry Munroe	DRAWN: Huy Nguyen	ITEM: MIC-38-CABLEMF9	
Scale N/A		DO NOT SCALE DRAWING	
DESCRIPTION: MIC-38-CABLE-MF-9			