

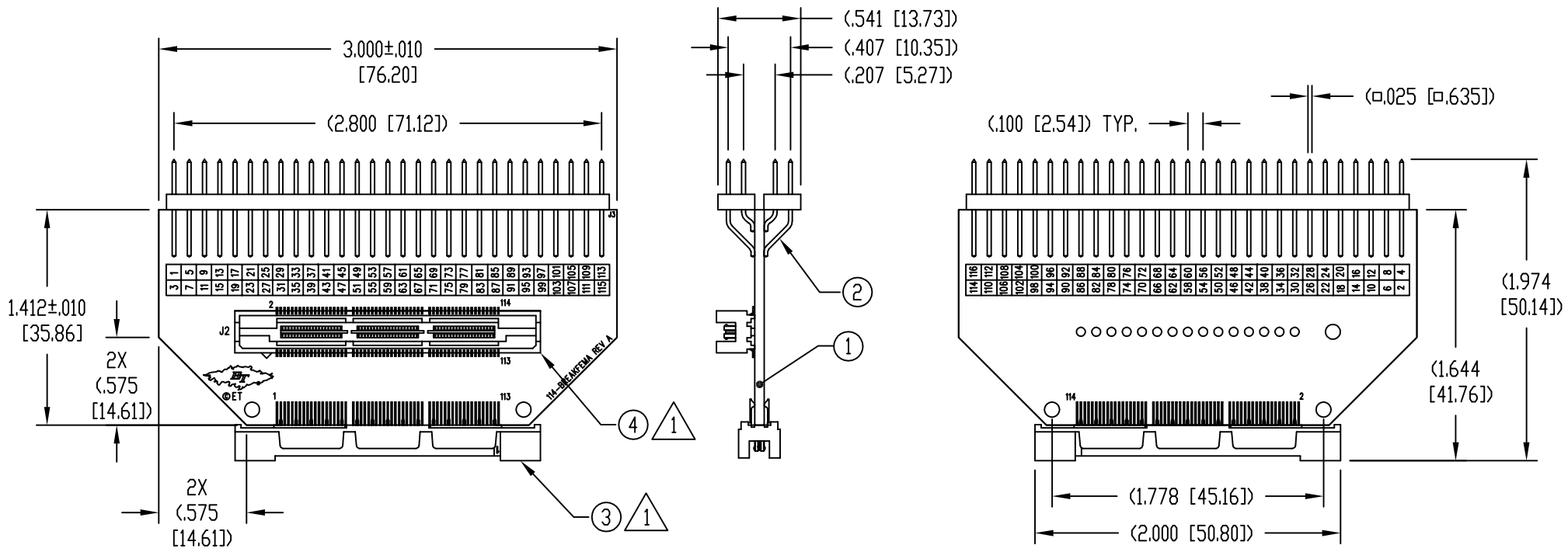
REV	DESCRIPTION	DATE	BY
A	NEW DRAWING	01/25/05	H.N.
B	ADDED BOM, NOTES, DETAILS	03/24/16	JAG

F7414

TOP VIEW

SIDE VIEW

BOTTOM VIEW



NOTE:

1. SOLDER THE CENTER GROUND PINS OF ITEMS (3) AND (4) TO ITEM (1).
2. SILKSCREEN NOT VALID FOR FEMALE VERSION. SEE CONVERSION TABLE ON PAGE 2.
3. MATING CONNECTOR: ET P/N CON-MICTOR-MAL-114-SMT

NO.	ITEM	DESCRIPTION	QTY.
1	114-BREAKFEMA	PRINTED CIRCUIT BOARD	1
2	WWPOST-25X2-SMT	SOLDER TO #1 @J3, BOTH SIDES	3
3	CONMICFEM114SMT	SOLDER TO TOP OF #1 @J2	1
4	CONMIC114FEMEDG	SOLDER TO EDGE OF #1	1

UNLESS OTHERWISE SPECIFIED:  
DIMENSIONS ARE IN INCHES [MM]  
TOLERANCES ARE:  
DECIMALS: .XX ±0.010 ANGLES ±10°  
XXX ±0.005  
XXXX ±0.0005  
[X] ±0.25 FRACTIONS ±1/64  
[.XX] ±0.13  
[.XXX] ±0.013

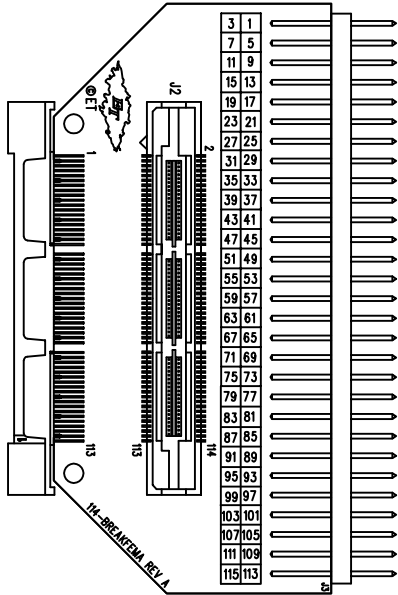
ALL DIMENSIONS ARE IN INCHES [MM] UNLESS OTHERWISE SPECIFIED

**ET** **EMULATION TECHNOLOGY, INC.**  
— VLSI and SMT ADAPTERS and ACCESSORIES —  
741 FLYNN ROAD TEL: (805) 383-8480  
CAMARILLO, CA 93012 FAX: (805) 383-8484

SHEET: 1 OF 2	DATE: 01/25/05	REVISION: B	ASSEMBLY DRAWING
CHECKED: P. MUNROE	DRAWN: HUY NGUYEN	ITEM: MIC-114BREKFEMA	DESCRIPTION: MIC-114-BREAKOUT-FEMALE
DO NOT SCALE DRAWING			

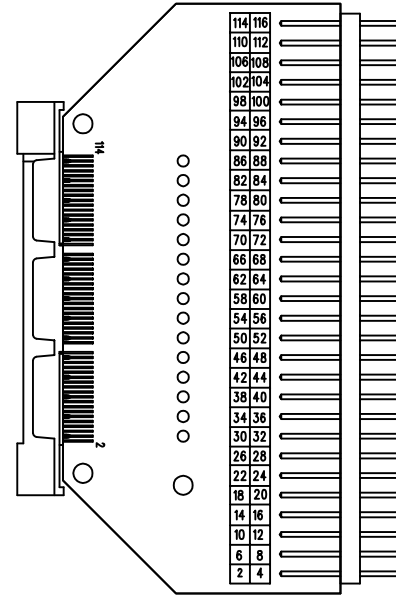
# FEMALE ADAPTER CONVERSION TABLE

## ODD SIDE



ODD	EVEN	ODD	EVEN
1	2	59	60
3	4	61	62
5	6	63	64
7	8	65	66
9	10	67	68
11	12	69	70
13	14	71	72
15	16	73	74
17	18	75	76
19	20	77	78
21	22	79	80
23	24	81	82
25	26	83	84
27	28	85	86
29	30	87	88
31	32	89	90
33	34	91	92
35	36	93	94
37	38	95	96
39	40	97	98
41	42	99	100
43	44	101	102
45	46	103	104
47	48	105	106
49	50	107	108
51	52	109	110
53	54	111	112
55	56	113	114
57	58		

## EVEN SIDE



ODD	EVEN	ODD	EVEN
2	1	60	59
4	3	62	61
6	5	64	63
8	7	66	65
10	9	68	67
12	11	70	69
14	13	72	71
16	15	74	73
18	17	76	75
20	19	78	77
22	21	80	79
24	23	82	81
26	25	84	83
28	27	86	85
30	29	88	87
32	31	90	89
34	33	92	91
36	35	94	93
38	37	96	95
40	39	98	97
42	41	100	99
44	43	102	101
46	45	104	103
48	47	106	105
50	49	108	107
52	51	110	109
54	53	112	111
56	55	114	113
58	57		

ALL DIMENSIONS ARE IN INCHES [MM] UNLESS OTHERWISE SPECIFIED



**EMULATION TECHNOLOGY, INC.**

— VLSI and SMT ADAPTERS and ACCESSORIES —

741 FLYNN ROAD  
CAMARILLO, CA 93012

TEL: (805) 383-8480  
FAX: (805) 383-8484

SHEET: 2 OF 2	DATE: 01/25/05	REVISION: B	<b>ASSEMBLY DRAWING</b>
CHECKED: P. MUNROE	DRAWN: HUY NGUYEN	ITEM: MIC-114BREFEMA	
DO NOT SCALE DRAWING			DESCRIPTION: MIC-114-BREAKOUT-FEMALE