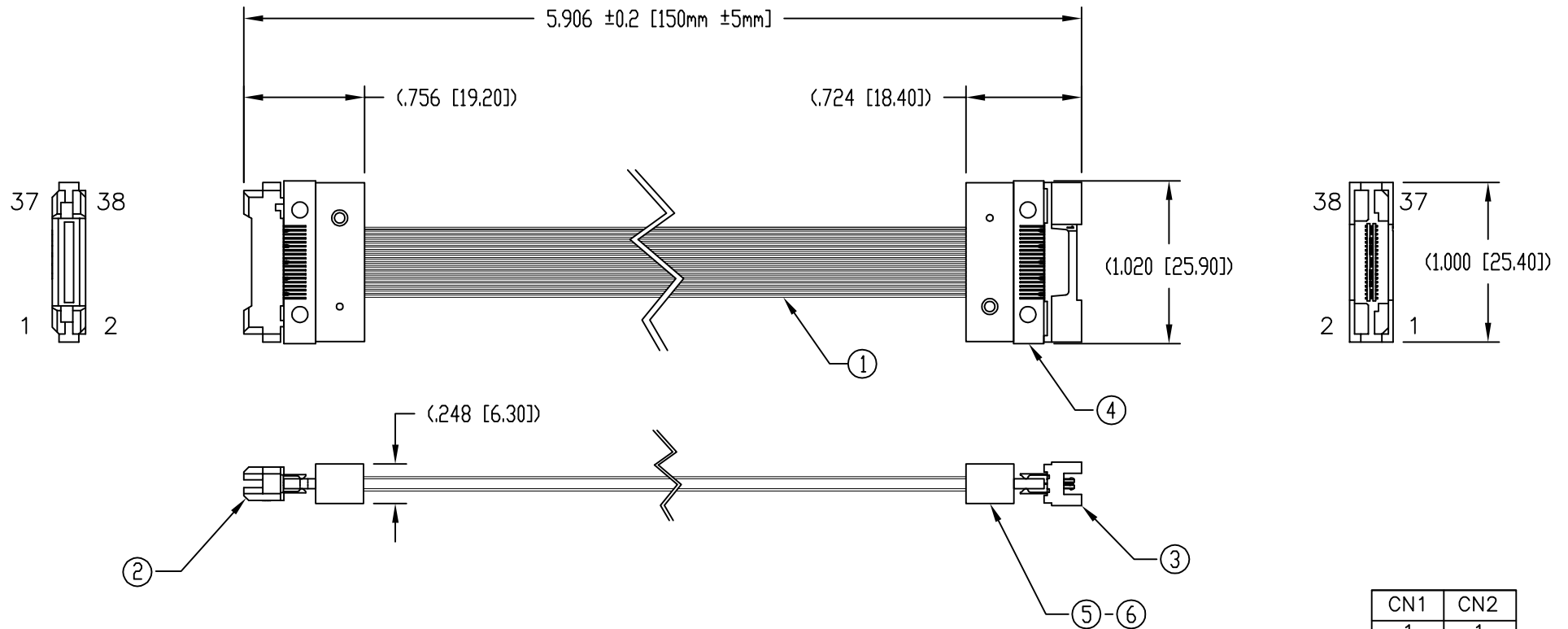


REV	DESCRIPTION	DATE	BY
A	NEW DRAWING	08/26/04	H.N.
B	UPDATED DRAWING INFO/NOTES	03/21/16	JAG

F7326



CN1	CN2
1	1
2	2
...	...
37	37
38	38

NOTES - UNLESS OTHERWISE SPECIFIED:

1. WIRE MAPPING 1:1
2. ALL ASSEMBLIES SHALL BE TESTED FOR CONTINUITY AND ISOLATION
3. ALL COAXIAL TERMINATIONS SHALL BE ENCAPSULATED
4. CABLE IMPEDANCE: 50 OHMS (REF)
5. TIME DELAY APPROXIMATELY 1.5ns PER FOOT
6. CAPACITANCE: 28.8 pF/FOOT (REF)
7. COMPONENTS AND PROCESSES COMPLIANT WITH ROHS DIRECTIVE 2002/95/EC
8. OVERALL ASSEMBLY LENGTH: 150 MILLIMETERS
9. CABLE LENGTH (MEASURED END OF CENTER CONDUCTOR TO END OF CENTER CONDUCTOR) APPROXIMATELY 120mm

FOR REFERENCE ONLY:

- ITEM 1: 38UFX, 50 OHM, BLUE
- ITEM 2: CONNECTOR, MICTOR, 38P, PLUG, R/A
- ITEM 3: CONNECTOR, MICTOR, 38P, RECEPTACLE, R/A
- ITEM 4: MICTOR PCB, 38P, R/A, STD
- ITEM 5: SCREW, BLACK
- ITEM 6: MICTOR CLAMSHELL

ALL DIMENSIONS ARE IN INCHES [MM] UNLESS OTHERWISE SPECIFIED

EMULATION TECHNOLOGY, INC.
 — VLSI and SMT ADAPTERS and ACCESSORIES —

741 FLYNN ROAD
 CAMARILLO, CA 93012

TEL: (805) 383-8480
 FAX: (805) 383-8484

SHEET: 1 OF 1	DATE: 08/26/04	REVISION: B	ASSEMBLY DRAWING
CHECKED: Perry Munroe		DRAWN: Huy Nguyen	ITEM: MIC-38-CABLEMF6
DO NOT SCALE DRAWING			DESCRIPTION: MIC-38-CABLE-MF-6