

REV	DESCRIPTION	DATE	BY
A	NEW DRAWING	03/02/04	H.N.
B	UPDATED PINOUT	08/25/04	H.N.
C	CLARIFIED TABLE FOR SILKSCREEN	09/18/09	JAG

F7049

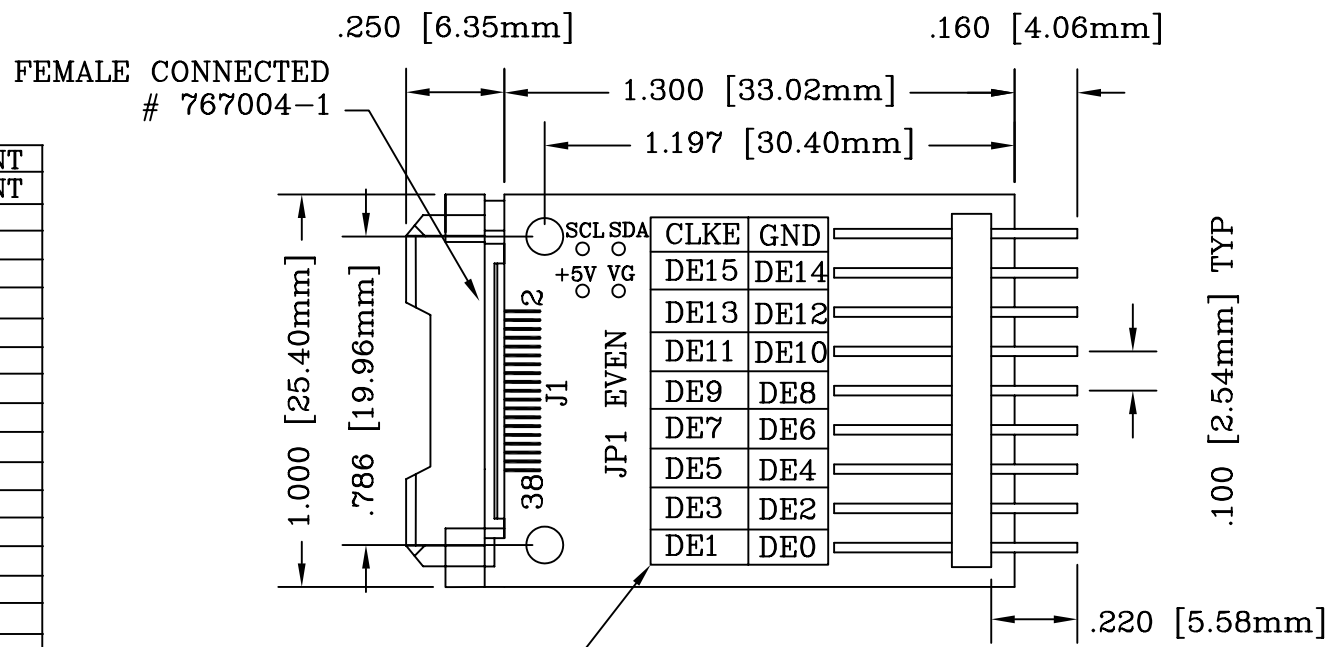
* SILKSCREEN NOT VALID FOR FEMALE VERSION
SEE TABLE FOR PINOUT

*SILKSCREEN SHOULD BE				*SILKSCREEN SHOULD BE	
1	2	TESTPOINT	2	1	TESTPOINT
3	4	TESTPOINT	4	3	TESTPOINT
5	6	CLKO	6	5	CLKE
7	8	DO15	8	7	DE15
9	10	DO14	10	9	DE14
11	12	DO13	12	11	DE13
13	14	DO12	14	13	DE12
15	16	DO11	16	15	DE11
17	18	DO10	18	17	DE10
19	20	DO9	20	19	DE9
21	22	DO8	22	21	DE8
23	24	DO7	24	23	DE7
25	26	DO6	26	25	DE6
27	28	DO5	28	27	DE5
29	30	DO4	30	29	DE4
31	32	DO3	32	31	DE3
33	34	DO2	34	33	DE2
35	36	DO1	36	35	DE1
37	38	DO0	38	37	DE0

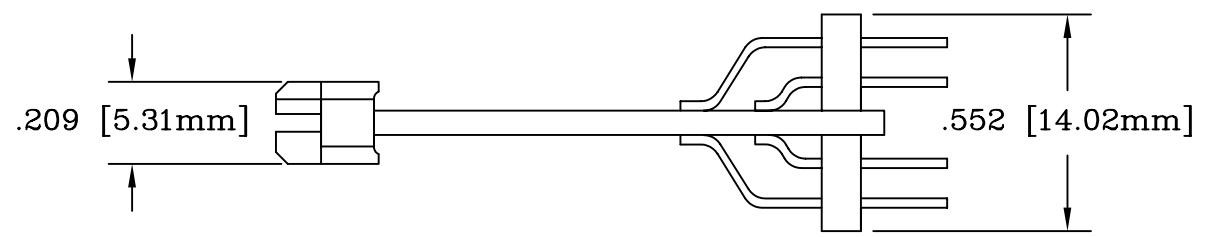
2X9 HEADER (EVEN)			
1	GND	2	CLKO
3	DO14	4	DO15
5	DO12	6	DO13
7	DO10	8	DO11
9	DO8	10	DO9
11	DO6	12	DO7
13	DO4	14	DO5
15	DO2	16	DO3
17	DO0	18	DO1

2X9 HEADER (ODD)			
1	DE1	2	DE0
3	DE3	4	DE2
5	DE5	6	DE4
7	DE7	8	DE6
9	DE9	10	DE8
11	DE11	12	DE10
13	DE13	14	DE12
15	DE15	16	DE14
17	CLKE	18	GND

NOTES: 1. THIS PART MATES WITH DRAWING # F6718
ET ITEM# CONMICSTD38SMT
2. MATES WITH TYCO PART # 767007-8



NOTE:
NAMING CONVENTION SILKSCREEN
FOLLOWS AGILENT STANDARD



ALL DIMENSIONS ARE IN INCHES UNLESS OTHERWISE SPECIFIED

Emulation Technology, Inc.
— VLSI and SMT ADAPTERS and ACCESSORIES —

759 FLYNN ROAD
CAMARILLO, CA 93012
TEL: (805)383-8480
FAX: (805)383-8484

SHEET: 1 OF 1 DATE: 08/25/04 REVISION: C

CHECKED: Perry Munroe DRAWN: Huy Nguyen

ITEM: MIC-38-BREAKFEM

DESCRIPTION: MIC-38-BREAKOUT-FEMALE

Scale 2:1 DO NOT SCALE DRAWING