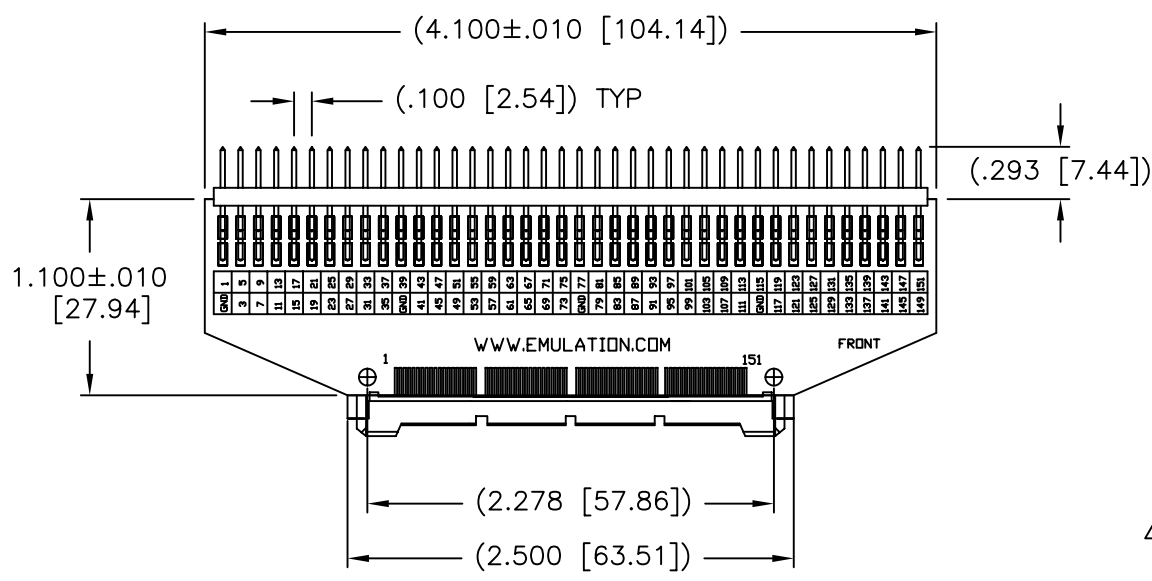


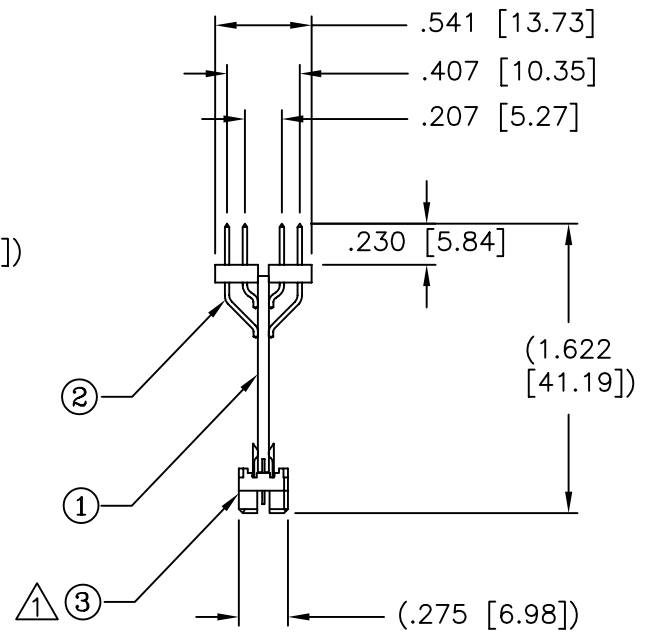
REV	DESCRIPTION	DATE	BY
A	NEW DRAWING	09/09/03	H.N.
B	ADDED BOM AND BOTTOM VIEW	06/01/10	JAG

F7022
DOD 37022

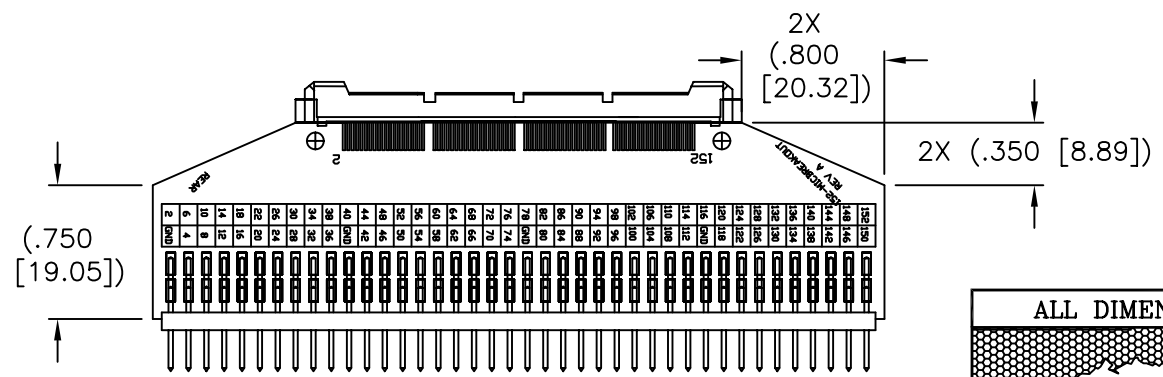
TOP VIEW



SIDE VIEW



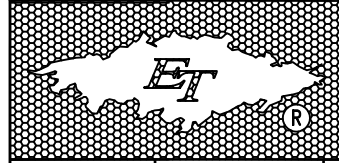
BOTTOM VIEW



NOTES

⚠ SOLDER THE CENTER GROUND PINS OF ITEM ③ TO ITEM ①.

ALL DIMENSIONS ARE IN INCHES UNLESS OTHERWISE SPECIFIED



Emulation Technology, Inc.
— VLSI and SMT ADAPTERS and ACCESSORIES —
759 FLYNN ROAD
CAMARILLO, CA 93012
TEL:(805)383-8480
FAX:(805)383-8484

NO.	ITEM	DESCRIPTION	QTY.
1	152-MICBREAKOUT	BASE BOARD	1
2	WWPOST-25X2-SMT	SOLDER TO FRONT & REAR OF #1	4
3	CONMICMLEGE152	SOLDER TO THE END OF #1	1

UNLESS OTHERWISE SPECIFIED:
DIMENSIONS ARE IN INCHES [MM]
TOLERANCES ARE:
DECIMALS:
XX ±0.010 ANGLES ±10°
XXX ±0.005
XXX ±0.0005
[.X] ±0.25 FRACTIONS ±1/64
[.XX] ±0.13
[.XXX] ±0.013

SHEET: 1 OF 1	DATE: 09/09/03	REVISION: B	ASSEMBLY DRAWING
CHECKED: Perry Munroe	DRAWN: Huy Nguyen	ITEM: MIC-152BREAKMAL	DESCRIPTION: MIC-152-BREAKOUT-MALE
Scale 2:1	DO NOT SCALE DRAWING		