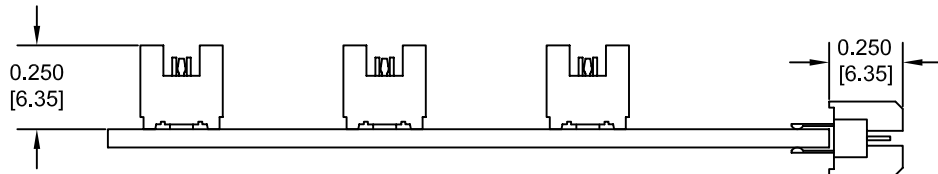
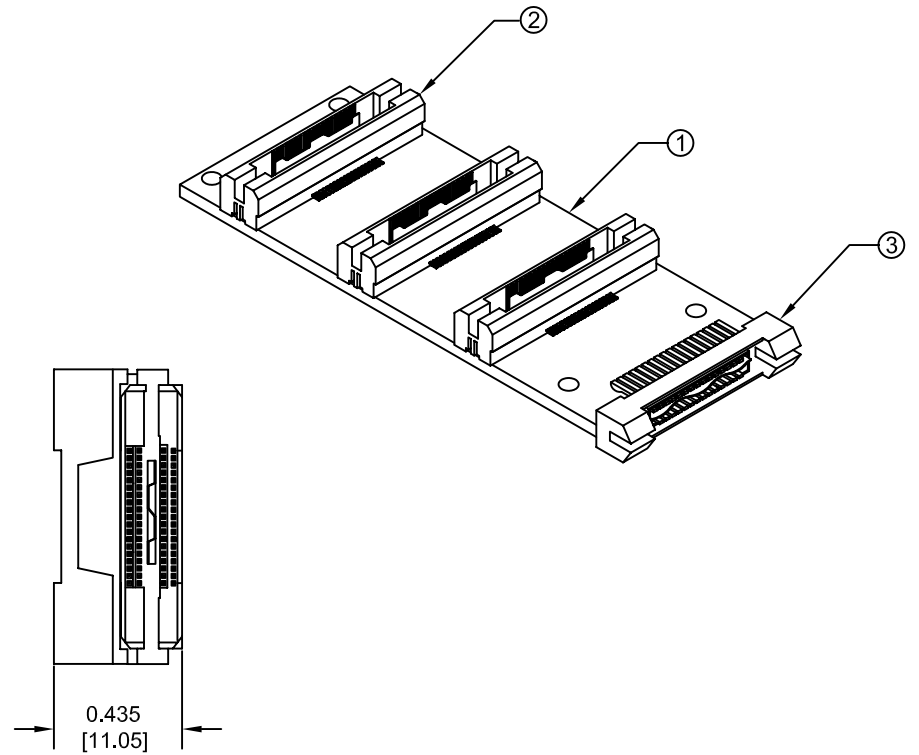
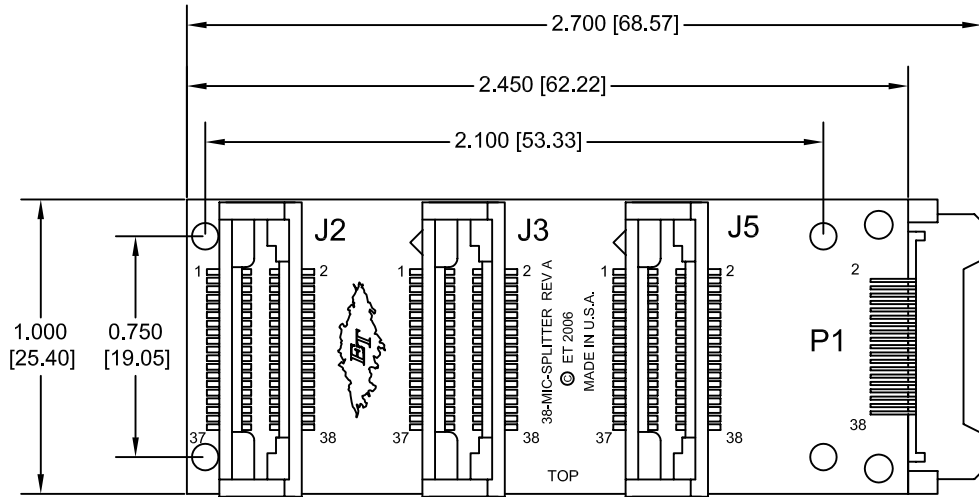


REV	DESCRIPTION	DATE	INIT
A	NEW DRAWING	06/22/06	K.B
B	UPDATED BOM & DWG	10/22/09	JAG



ALL DIMENSIONS ARE IN INCHES UNLESS OTHERWISE SPECIFIED



**Emulation Technology, Inc.**

-VLSI and SMT ADAPTERS and ACCESSORIES-

www.emulation.com

TEL: (805)383-8480

759 FLYNN ROAD, CAMARILLO, CA 93012

FAX: (805)383-8484

NO.	ITEM	DESCRIPTION	QTY.
1	38-MIC-SPLITTER	BASEBOARD	1
2	CONMICFEM38SMT	SOLDER TOP #1	3
3	CONMIC38MALEDGE	SOLDER EDGE OF #1	1

SHEET: 1 OF 1	DATE: 06/27/06	REVISION: <b>B</b>	<b>ASSEMBLY DRAWING</b>
CHECKED: PERRY MUNROE	DRAWN: K.BURNS	ITEM: MIC-38-SPLITTER	
DO NOT SCALE DRAWING			DESCRIPTION: MIC-38-SPLITTER