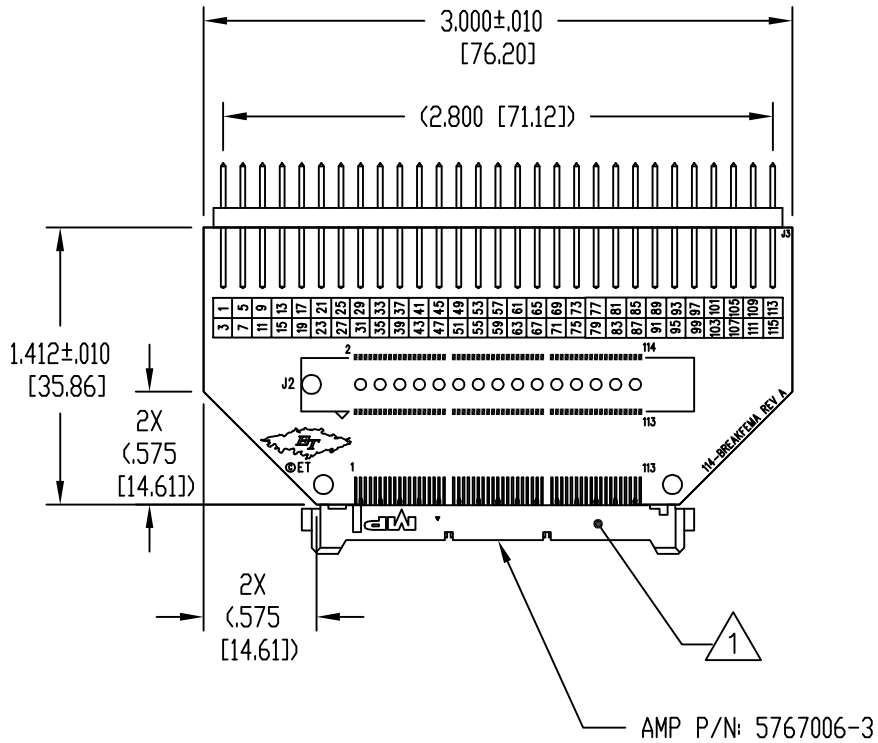


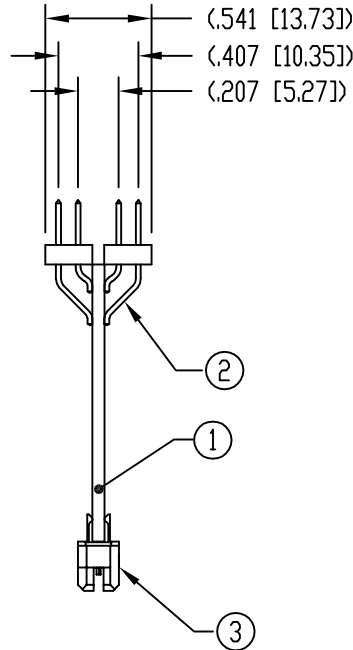
REV	DESCRIPTION	DATE	BY
A	NEW DRAWING	10/15/02	H.N.
B	UPDATED PCB, ADDED BOM & NOTES	04/16/15	JAG

F6740
DOD 36740

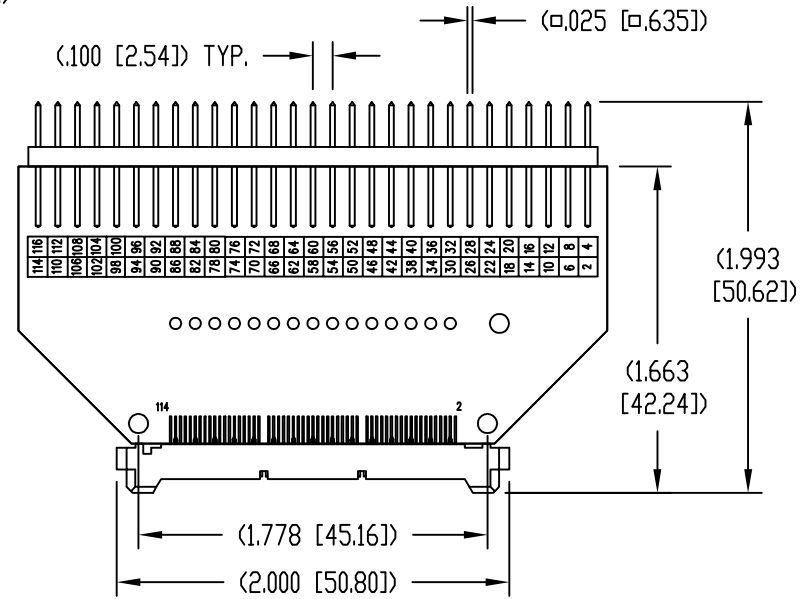
TOP VIEW



SIDE VIEW



BOTTOM VIEW



NOTE:

1. SOLDER THE CENTER GROUND PINS OF ITEM ③ TO ITEM ①.
2. J2 IS NOT POPULATED BY DEFAULT.
3. WIRED 1-TO-1.

NO.	ITEM	DESCRIPTION	QTY.
1	114-BREAKFEMA	PRINTED CIRCUIT BOARD	1
2	WWPOST-25X2-SMT	SOLDER TO #1 @J3, BOTH SIDES	2.5
3	CONMIC114MALEDG	MOUNT TO EDGE OF #1 @J1	1

UNLESS OTHERWISE SPECIFIED:  
DIMENSIONS ARE IN INCHES [MM]  
TOLERANCES ARE:  
DECIMALS: .XX ±0.010, .XXX ±0.005, .XXXX ±0.0005  
ANGLES: ±10°  
FRACTIONS: [.X] ±0.25, [.XX] ±0.13, [XXX] ±0.013

ALL DIMENSIONS ARE IN INCHES [MM] UNLESS OTHERWISE SPECIFIED

**EMULATION TECHNOLOGY, INC.**  
— VLSI and SMT ADAPTERS and ACCESSORIES —  
759 FLYNN ROAD CAMARILLO, CA 93012  
TEL: (805) 383-8480 FAX: (805) 383-8484

**ET**

SHEET: 1 OF 1	DATE: 10/15/02	REVISION: B	<b>ASSEMBLY DRAWING</b>
CHECKED: P. MUNROE	DRAWN: HUY NGUYEN	ITEM: MIC-114BREAKOUT	
DO NOT SCALE DRAWING			DESCRIPTION: MIC-114-BREAKOUT