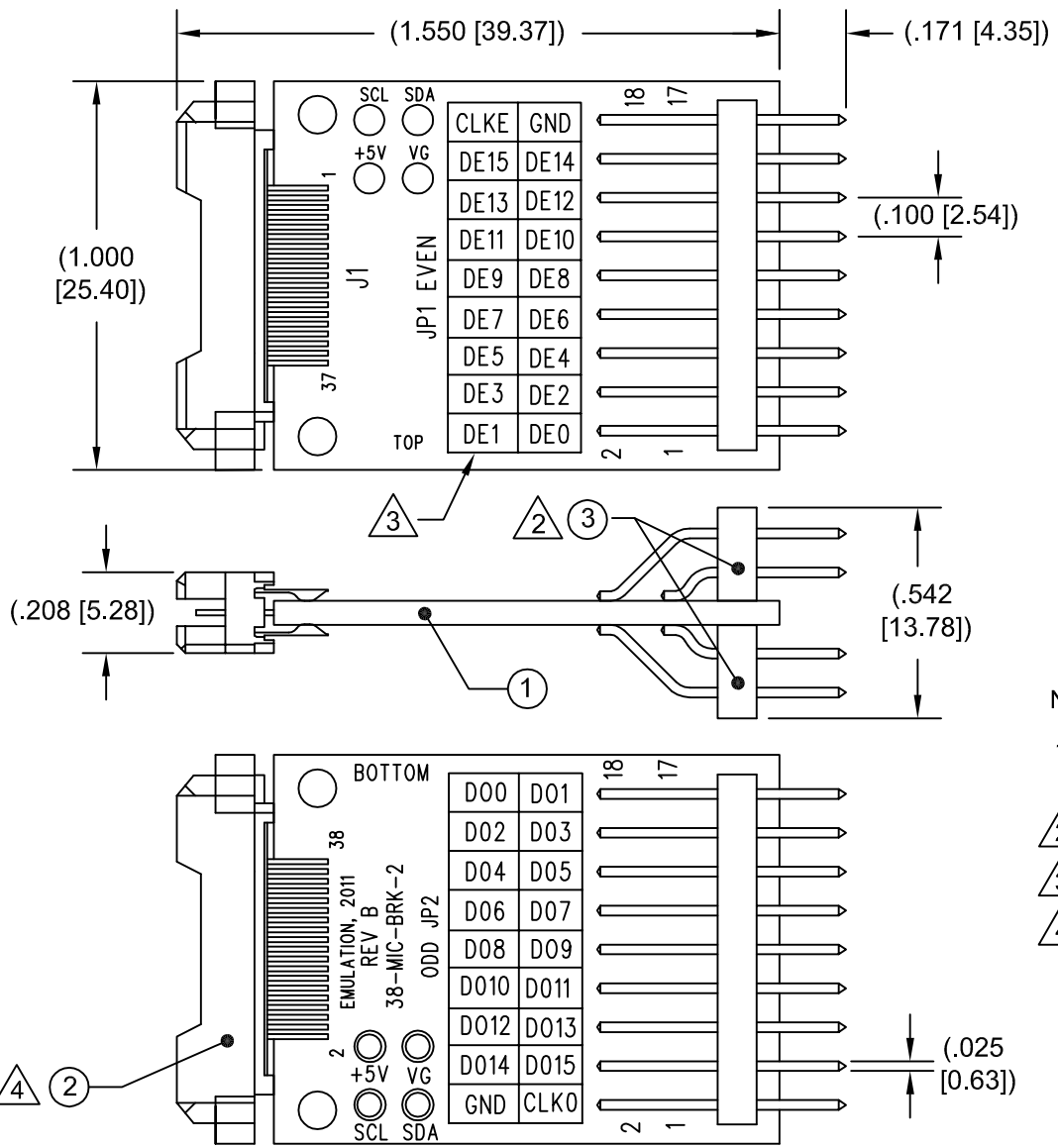


REV	DESCRIPTION	DATE	BY
A	NEW DRAWING	09/11/02	H.N.
B	ADDED BOARD NOTE SECTION	12/01/03	H.N.
C	UPDATE TO ACCOMMODATE NEW DESIGN	02/28/07	K.B.
D	ADDED NOTE FOR GND PIN	02/09/10	JAG
E	UPDATED/CLARIFIED CONNECTION TABLE	05/17/13	JAG

F6716



CONNECTION TABLE					
EVEN SIDE (TOP)			ODD SIDE (BOTTOM)		
J1	JP1	NAME	J1	JP2	NAME
1	N/A	+5V (Test Point)	2	N/A	SCL (Test Point)
3	N/A	VG (Test Point)	4	N/A	SDA (Test Point)
5	18	CLKE	6	1	CLK0
7	16	DE15	8	3	DO15
9	15	DE14	10	4	DO14
11	14	DE13	12	5	DO13
13	13	DE12	14	6	DO12
15	12	DE11	16	7	DO11
17	11	DE10	18	8	DO10
19	10	DE9	20	9	DO9
21	9	DE8	22	10	DO8
23	8	DE7	24	11	DO7
25	7	DE6	26	12	DO6
27	6	DE5	28	13	DO5
29	5	DE4	30	14	DO4
31	4	DE3	32	15	DO3
33	3	DE2	34	16	DO2
35	2	DE1	36	17	DO1
37	1	DE0	38	18	DO0

GND: JP1-17, JP2-2

NOTES:

- THIS PART MATES WITH EMULATION TECH. PART # CONMICFEM38SMT (DRAWING F1416) AND WITH TYCO PART # 2-767004-2.
- BREAK ITEM ③ IN HALF AND USE FOR TOP AND BOTTOM (AS SHOWN).
- NAMING CONVENTION SILKSCREEN FOLLOWS AGILENT STANDARD.
- SOLDER THE CENTER GROUND PINS OF ITEM ② TO ITEM ①.

ALL DIMENSIONS ARE IN INCHES [MM] UNLESS OTHERWISE SPECIFIED

Emulation Technology, Inc.
 — VLSI and SMT ADAPTERS and ACCESSORIES —
 759 FLYNN ROAD TEL:(805)383-8480
 CAMARILLO, CA 93012 FAX:(805)383-8484

NO.	ITEM	DESCRIPTION	QTY.
1	38-MIC-BRK-2	BASE BOARD	1
2	CONMIC38MALEDGE	SOLDER TO EDGE OF #1	1
3	WWPOST-18X2-SMT	USE 1/2 TOP & 1/2 BOT	1

UNLESS OTHERWISE SPECIFIED:
 DIMENSIONS ARE IN INCHES [MM]
 TOLERANCES ARE:
 DECIMALS: .XX ±0.010 .XXX ±0.005 .XXXX ±0.0005
 FRACTIONS: [.X] ±0.25 [.XX] ±0.13 [.XXX] ±0.013
 ANGLES: ±10° ±1/64

SHEET: 1 OF 1	DATE: 12/01/03	REVISION: E	ASSEMBLY DRAWING
CHECKED: Perry Munroe	DRAWN: Huy Nguyen	ITEM: MIC-38-BREAKOUT	
Scale 2:1	DO NOT SCALE DRAWING		DESCRIPTION: MIC-38-BREAKOUT