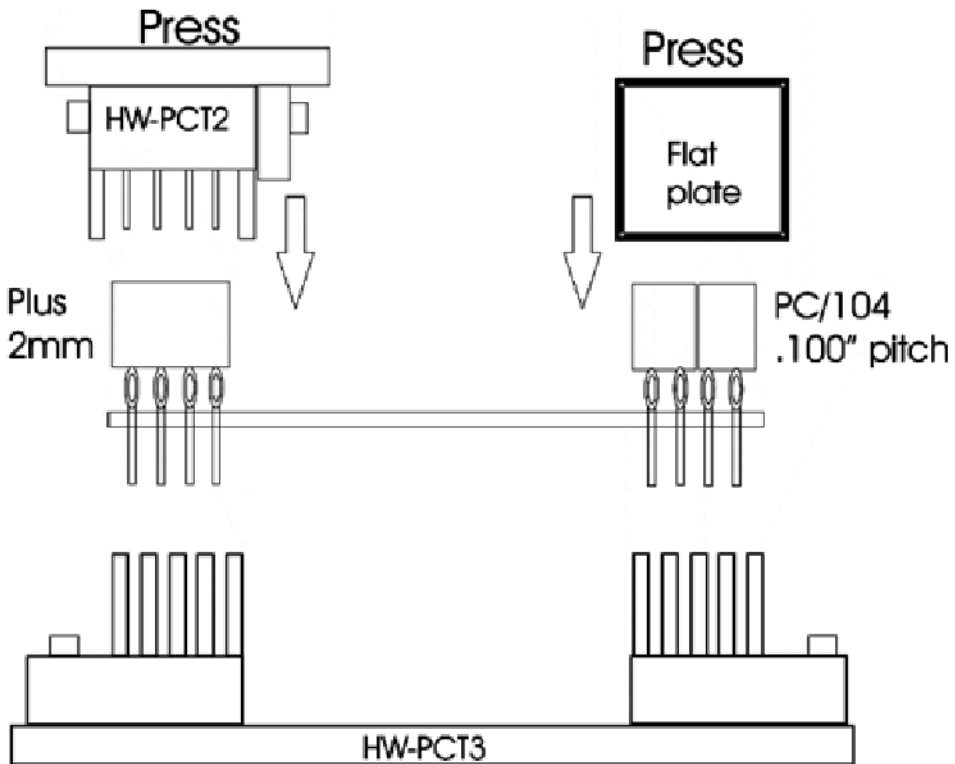
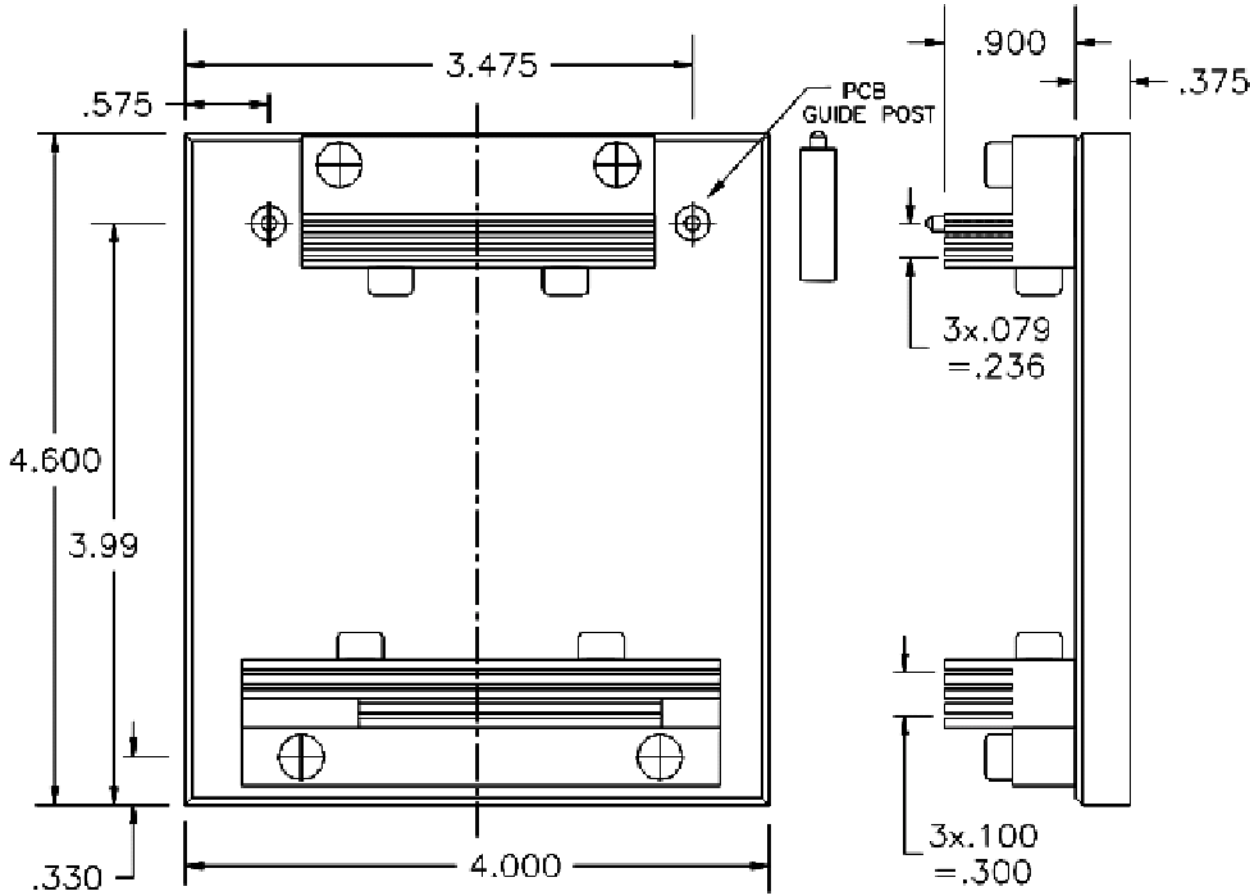


2mm/.100"	Hardware	Bottom press fixture for PC/104 & PC-104-plus press fit connectors	PC104 Tooling	
-----------	----------	--	---------------	--

Bottom press fixture which can be used for both .100 pitch and 2mm PC1 04 connectors



Base Part Number	A		B		C		D		E		Plating Options	Number of Postions
	mm	Inch	mm	Inch	mm	Inch	mm	Inch	mm	Inch		
HW-PCT3											X	One Per

Technical Notes	
Material:	Hardened Steel
<i>INTERCONNECT SYSTEMS INC.</i> 741 Flynn Road, Camarillo, Ca 93012 · (805) 482-2870 · fax (805) 482-8470 · e-mail: info@isipkg.com	