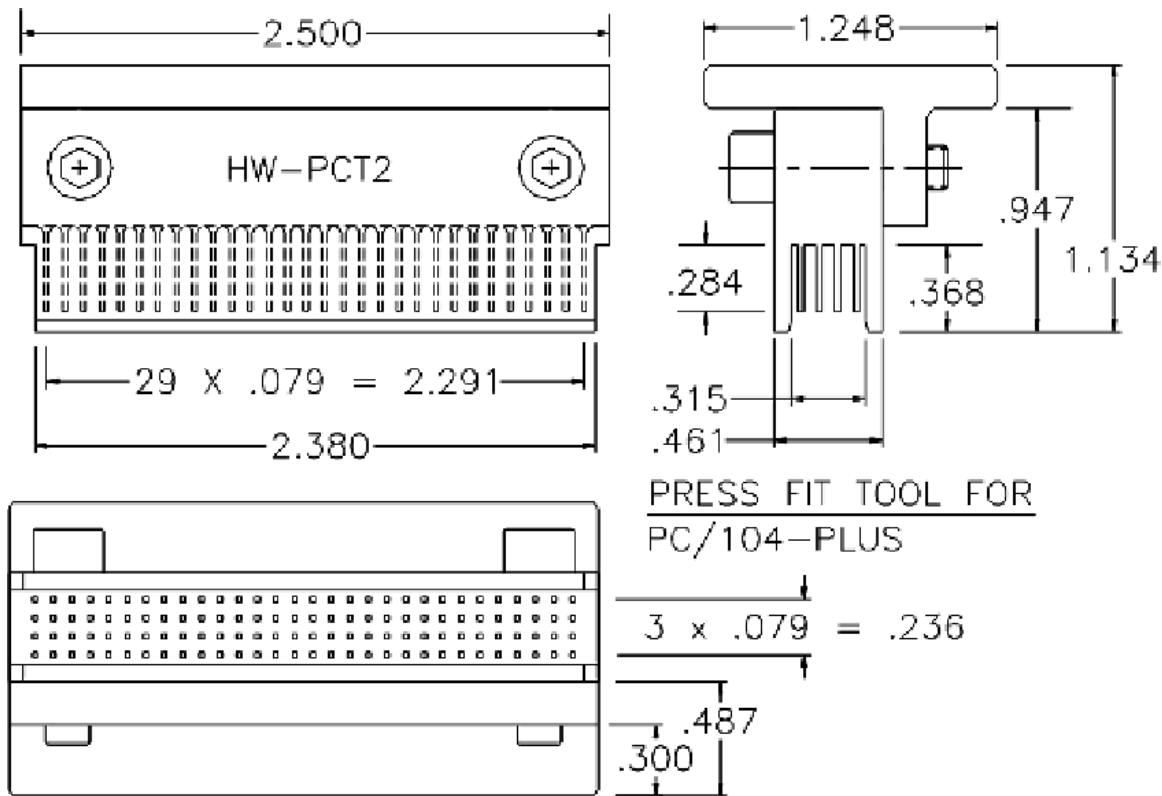


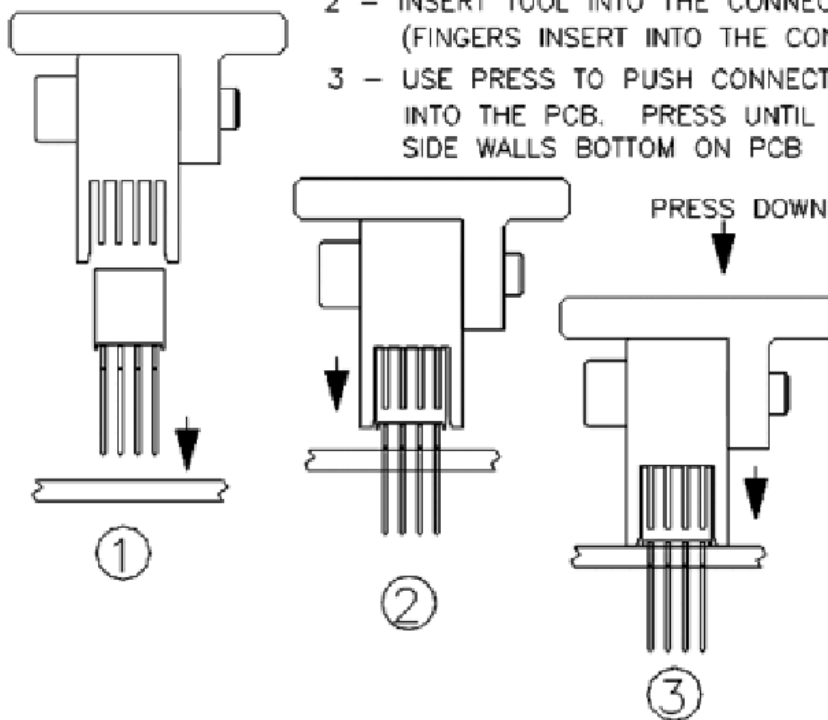
2mm	Hardware	Press in tool for PC/104-plus press fit connector	PC104-plus Tooling	
-----	----------	---	--------------------	--

Upper fixture used to press 2mm PC1 04-Plus 4 row connectors into the PCB



PROCESS STEPS

- 1 - INSERT CONNECTOR THRU PCB
- 2 - INSERT TOOL INTO THE CONNECTOR (FINGERS INSERT INTO THE CONTACTS)
- 3 - USE PRESS TO PUSH CONNECTOR INTO THE PCB. PRESS UNTIL TOOL SIDE WALLS BOTTOM ON PCB



Base Part Number	A		B		C		D		E		Plating Options	Number of Postions
	mm	Inch	mm	Inch	mm	Inch	mm	Inch	mm	Inch		
<b>HW-PCT2</b>											X	One Per

Technical Notes	
<b>Material:</b>	Hardened Steel
<b><i>INTERCONNECT SYSTEMS INC.</i></b> 741 Flynn Road, Camarillo, Ca 93012 · (805) 482-2870 · fax (805) 482-8470 · e-mail: <a href="mailto:info@isipkg.com">info@isipkg.com</a>	