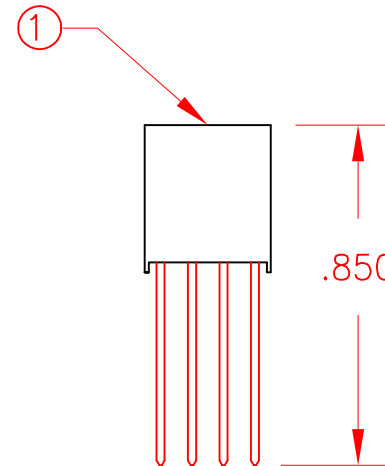
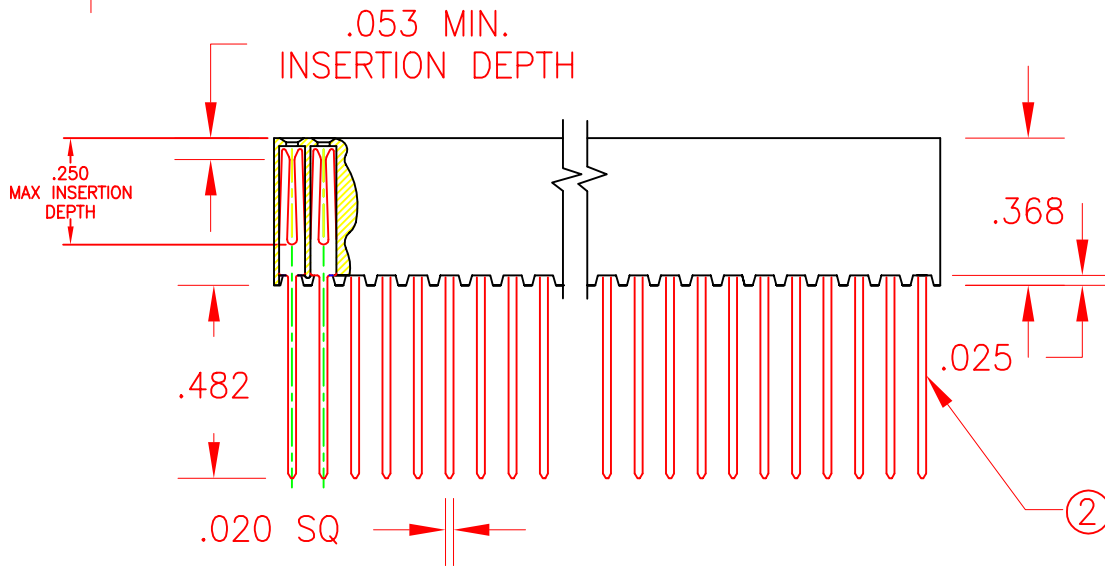
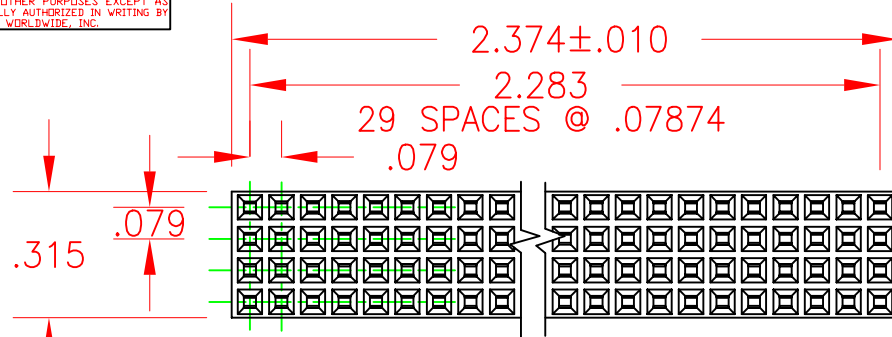


THIS DRAWING CONTAINS PROPRIETARY INFORMATION EXCLUSIVE TO COMM CON CONNECTORS, AND SHALL NOT BE USED, DUPLICATED OR DISCLOSED IN WHOLE OR IN PART FOR THE MANUFACTURE, PROCUREMENT OR OTHER PURPOSES EXCEPT AS SPECIFICALLY AUTHORIZED IN WRITING BY COMM CON WORLDWIDE, INC.

REVISIONS

ECO NO:	REV:	DESCRIPTION	DATE	APPROVED
91XXX	F	UPDATED	07.13.06	



3. MAX NUMBER OF CONTACTS: 120
2. PLATING: G 3-5 MICRO INCHES OF GOLD MIN PER MIL-G-45204 TYPE II OVER 50 MICRO INCHES OF NICKEL PER QQ-N-290
1. MATERIALS: INSULATORS - BLACK, 30% GLASS FILLED THERMOPLASTIC, 94V-0, RATED -65°C TO 250 °C RoHS COMPLIANT XYDAR LCP RESIN: G-930
CONTACT - PHOSPHOR BRONZE, ALLOY 51000

NOTES: UNLESS OTHERWISE SPECIFIED

FIND	QTY	PART NO.	DESCRIPTION
2	120	P40287-02	2MM TUNING FORK SOCKET
1	1	40343	2MM P, 4 ROW STAMPED INSULATOR SKT.

LIST OF MATERIALS

UNLESS OTHERWISE SPECIFIED: DIMENSIONS ARE IN INCHES AND TOLERANCES ARE: FRACTIONS DECIMALS ANGLES ±1/64 .XX ± .02 .XXX ± .010 ±1°		TITLE: 2MM P, 4 ROW STAMPED SOCKET PC/104-PLUS	
DRAWN BY: AM	DATE: 05.08.01	CAT. NO: 1242-XXYY	SIZE: DWG NO: 30265
APPROVED:	DATE:	SCALE: 2:1	REV: F
MATERIAL: SEE NOTE 1		TOOL NO:	SHEET 1 OF 1
FINISH: SEE NOTE 2			