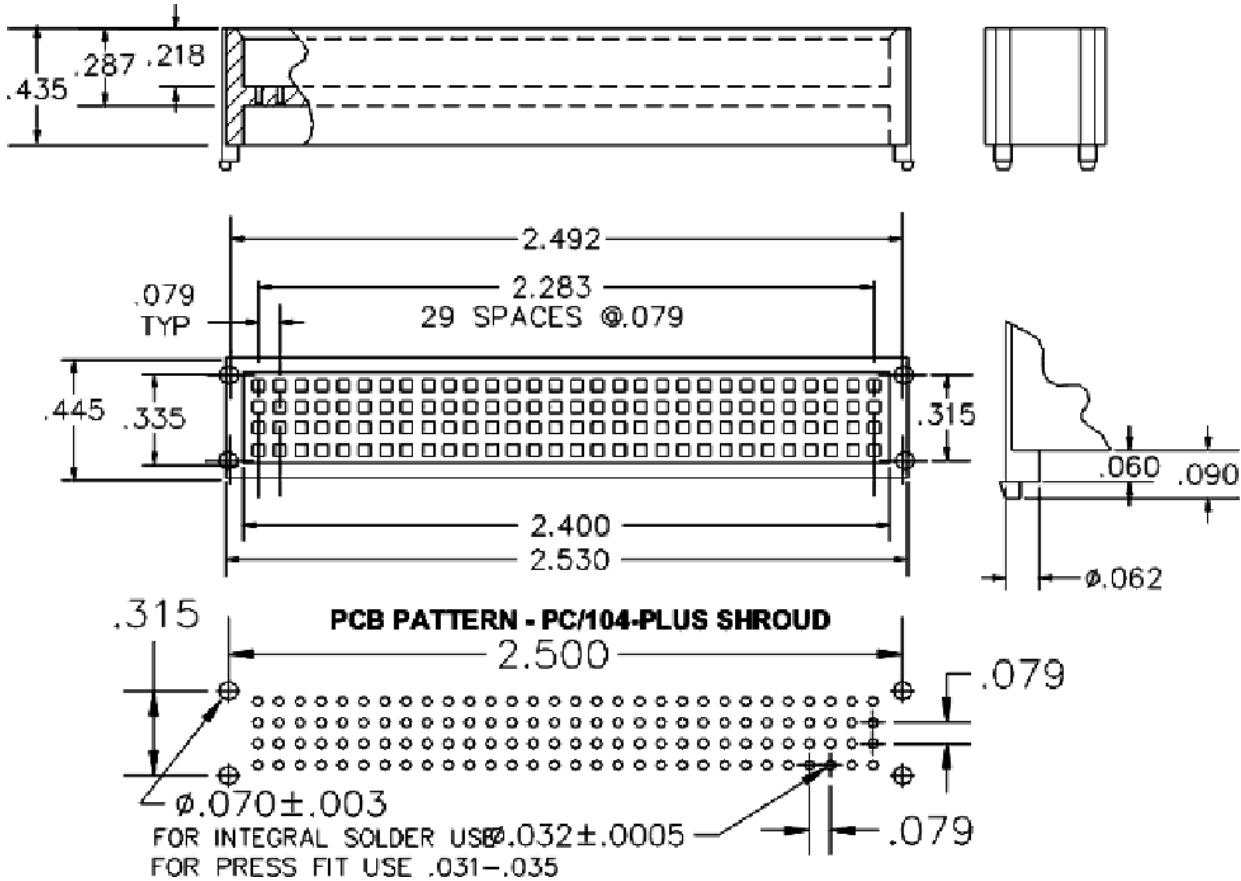


2mm	Shroud	Plastic Shroud for PC/104 Plus	4 Row	J3
-----	--------	--------------------------------	-------	----

Plastic Shroud use on PC/104-Plus - 120 position Stackthrough



Base Part Number	A		B		C		D		E		Plating Options	Number of Postions
	mm	Inch	mm	Inch	mm	Inch	mm	Inch	mm	Inch		
1264-120 Shroud only											X	Plastic only

Technical Notes	
Insulation Material:	Glass Filled Nylon 46 - UL 94V-0 rated - Black (std)
Insulation Resistance:	Not Applicable
Current Rating:	Not Applicable
Max Processing Temp:	250°C for 60 seconds
Plastic:	High Temperature Plastic
INTERCONNECT SYSTEMS INC.	
741 Flynn Road, Camarillo, Ca 93012 · (805) 482-2870 · fax (805) 482-8470 · e-mail: info@isipkg.com	