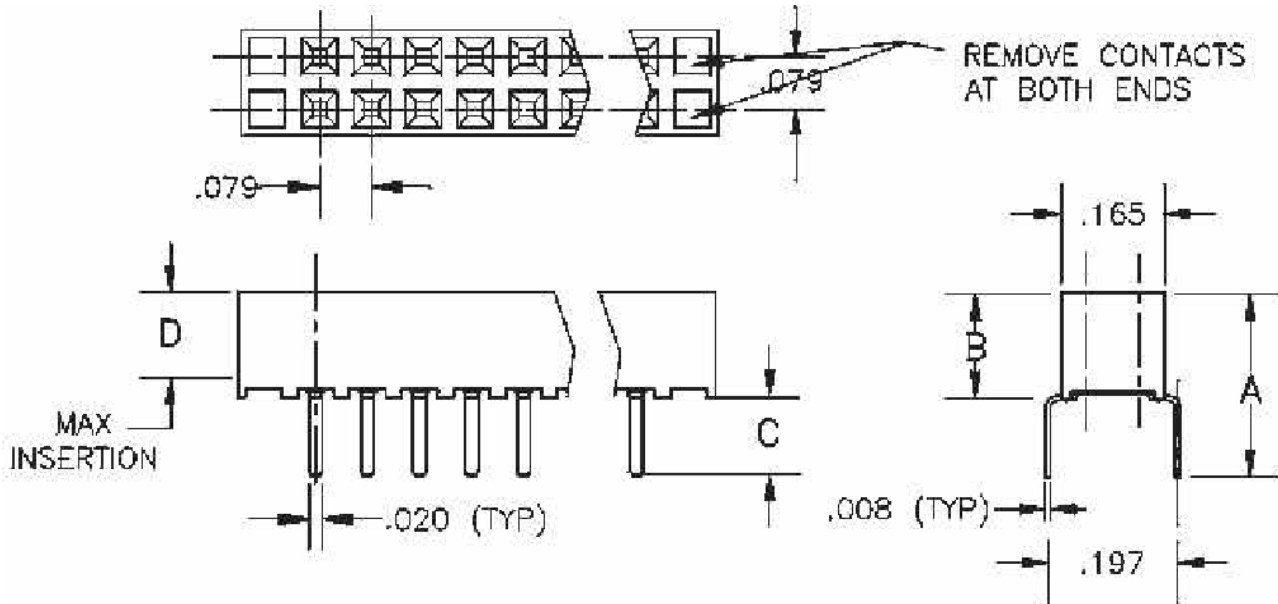


2mm	Socket	Pass Through - use with Box Headers	Straight	Thru Hole
-----	--------	-------------------------------------	----------	-----------

2mm Center, Double Row Straight Pass Through - use with Box Headers



Base Part Number	A		B		C		D		E		Plating Options	Number of Postions
	mm	Inch	mm	Inch	mm	Inch	mm	Inch	mm	Inch		
1372	6.78	0.267	3.99	0.157	2.79	0.110	3.56	0.140			G2LF : TLF	10,12,14,16, 20,24,26,30, 34,36,44,50, 60,68

Technical Notes	
<b>Contact Material:</b>	Contact: Stamped, Phosphor Bronze
<b>Insulation Material:</b>	Glass Filled Nylon 46 - UL 94V-0 rated - Black (std)
<b>Heat Deflection:</b>	260°C @ 264 PSI per ASTM D648
<b>Insulation Resistance:</b>	5000 MegOhm @ 500VDC
<b>Current Rating:</b>	1 amps continuous @ 100 VDC/contact
<b>Max Processing Temp:</b>	250°C for 60 seconds
<b>Insertion Force:</b>	142 grams (5.0oz) (typ initial w/ .020" sq pin)
<b>Extraction Force:</b>	80 grams (2.8oz) (typ initial w/ .020" sq pin)
<b>Plastic:</b>	High Temperature Plastic
<b>INTERCONNECT SYSTEMS INC.</b>	
741 Flynn Road, Camarillo, Ca 93012 · (805) 482-2870 · fax (805) 482-8470 · e-mail: <a href="mailto:info@isipkg.com">info@isipkg.com</a>	