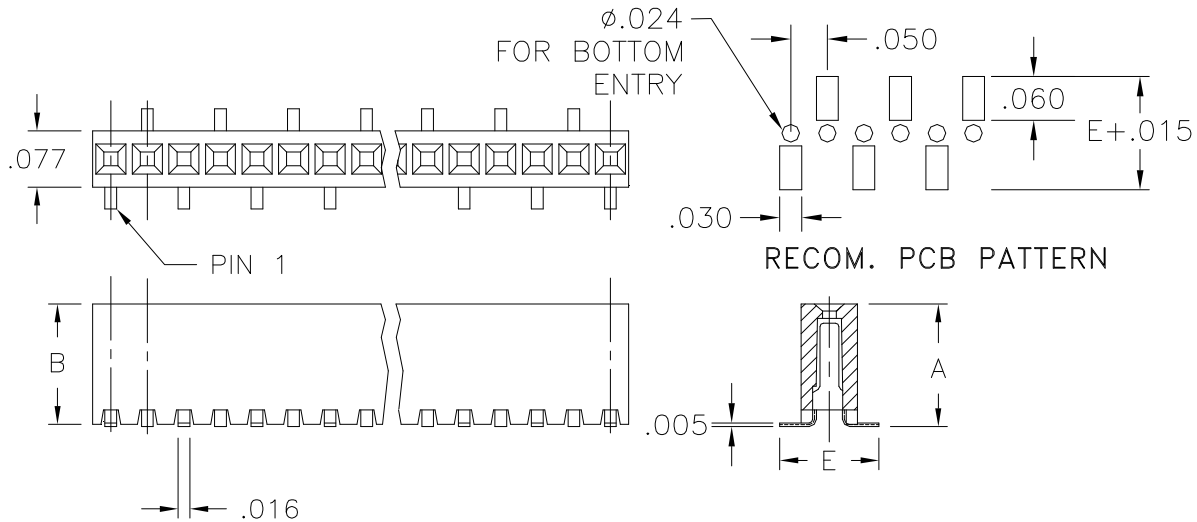


| | | | | |
|------|--------|-------------------------------|----------|-----------|
| .050 | Socket | Single Row Top & Bottom Entry | Straight | Thru Hole |
|------|--------|-------------------------------|----------|-----------|

.050 inch Center - Single Row Straight - Surface Mount Socket



| Base Part Number | A | | B | | C | | D | | E | | Plating Options | Number of Postions |
|------------------|------|-------|------|-------|----|------|----|------|------|-------|-----------------|--------------------|
| | mm | Inch | mm | Inch | mm | Inch | mm | Inch | mm | Inch | | |
| 1483 | 4.27 | 0.168 | 4.19 | 0.165 | | | | | 3.45 | 0.136 | G2LF | 4-60 |

| Technical Notes | |
|--|---|
| Contact Material: | Contact: Stamped - BeCu |
| Insulation Material: | Glass Filled Nylon 46 - UL 94V-0 rated - Black (std) |
| Heat Deflection: | 260°C @ 264 PSI per ASTM D648 |
| Insulation Resistance: | 5000 MegOhm @ 500VDC |
| Current Rating: | 1 amps continuous @ 100 VDC/contact |
| Max Processing Temp: | 250°C for 60 seconds |
| Insertion Force: | 36 grams(1.3oz) w/.016" sq pin 65 grams(2.3oz) w/ .018" rd pin (typ initial/contact) |
| Extraction Force: | 29 grams(1.0oz) w/.016" sq pin 57 grams(2.0oz) w/ .018" rd pin (typ initial/contact) |
| Plastic: | High Temperature Plastic |
| INTERCONNECT SYSTEMS INC. | |
| 741 Flynn Road, Camarillo, Ca 93012 · (805) 482-2870 · fax (805) 482-8470 · e-mail: info@isipkg.com | |