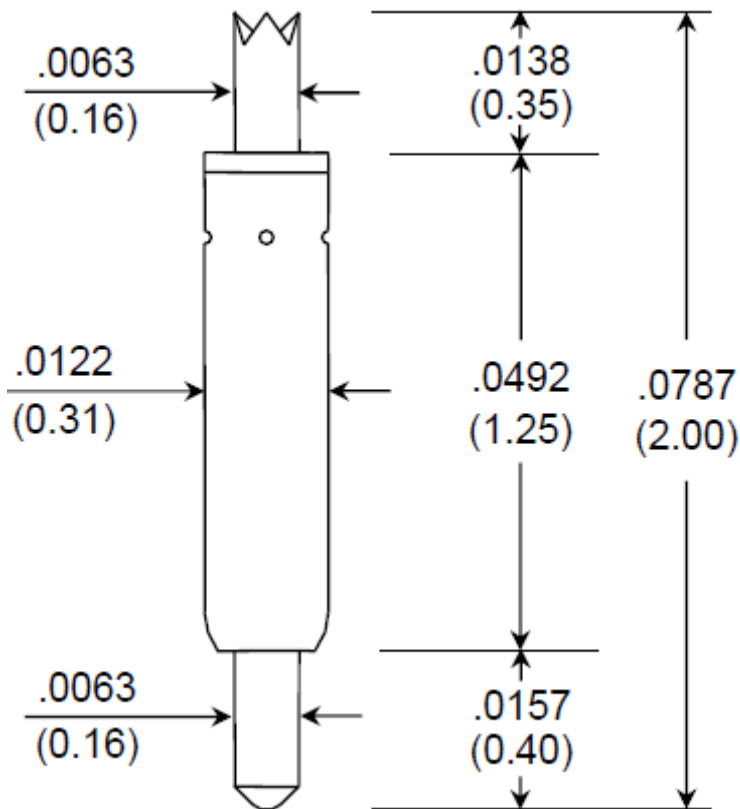


REV	DESCRIPTION	DATE	BY
A	NEW DRAWING	03/02/2016	RF

SKT4247

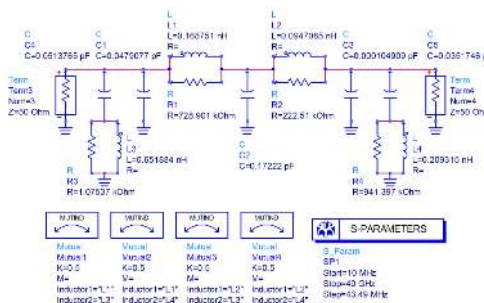
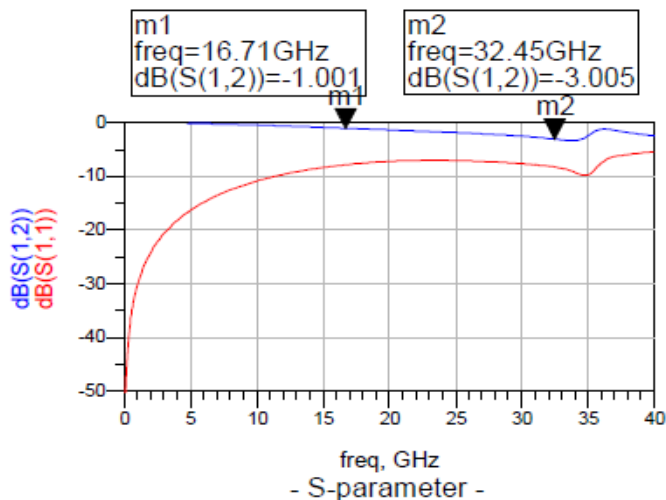


STATE	TRAVEL	SPRING FORCE
Initial Travel	--	--
Recommended Travel	0.30mm (0.0118")	13.0g (0.459oz)
Full Travel	0.37mm (0.0146")	--

PART	MATERIAL	FINISH
Spring	Music Wire	Gold Plated
Barrel	Phosphor Bronze	Gold Plated
Terminal	Hardened Beryllium Copper	Gold Plated
Plunger	Hardened Beryllium Copper	Gold Plated

Electrical Spec.	
Current Rating	2.0A Continuous
Self Inductance	0.26nH
Capacitance	0.31pF
Mutual Inductance	0.21nH (K=0.5)
Propagation Delay	12.70ps
Bandwidth	16.71GHz @ -1.001dB

(Dielectric material : ULTEM1000)



ALL DIMENSIONS ARE IN MILLIMETERS UNLESS OTHERWISE SPECIFIED



EMULATION TECHNOLOGY, INC.

VLSI and SMT ADAPTERS and ACCESSORIES

741 FLYNN ROAD
CAMARILLO, CA 93012

TEL: (805) 383-8480
FAX: (805) 383-8484

SHEET: 1 OF 1	DATE: 03/02/16	REVISION: A	ASSEMBLY DRAWING
CHECKED:	PREPARED BY: R. Flores	ITEM: POGO-PIN-2.00-3	
DO NOT SCALE DRAWING			DESCRIPTION: POGO-PIN-2.00-3