

4

3

2

DWG NO.

1

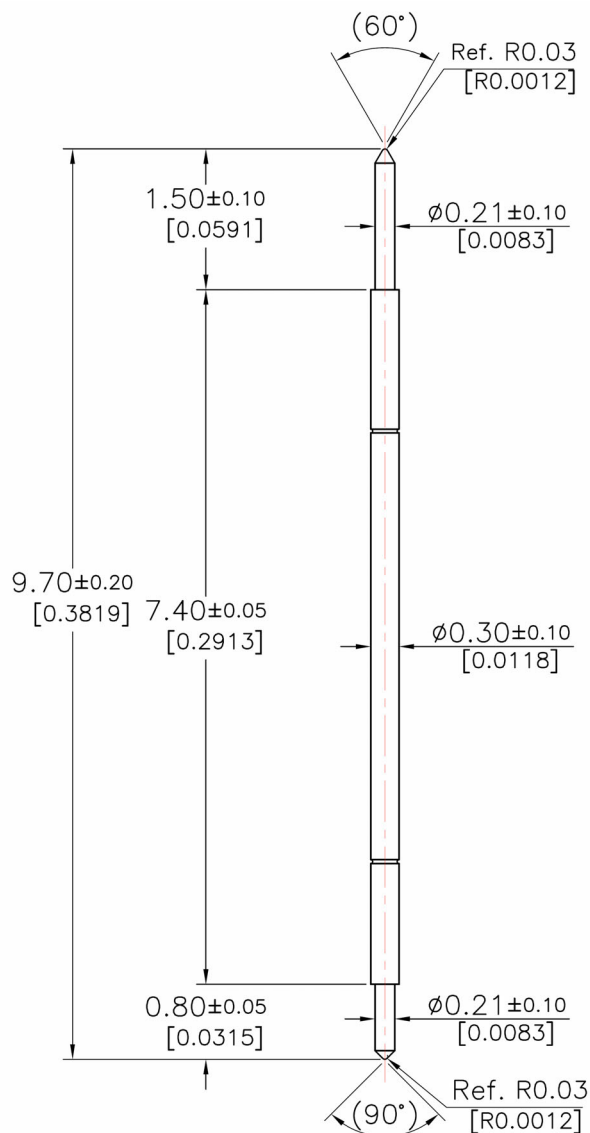
SKT4071

THIS DOCUMENT CONTAINS PROPRIETARY INFORMATION AND IS THE PROPERTY OF INTERCONNECT SYSTEMS INTERNATIONAL, LLC (ISI). IT SHALL NOT BE REPRODUCED, COPIED, OR DISCLOSED TO THIRD PARTIES WITHOUT THE PRIOR WRITTEN CONSENT OF ISI.

REVISION HISTORY

REV	DESCRIPTION	ECN	DATE	APRVD
A	INITIAL RELEASE	--	06/18/14	TF
B	ADDED TEST DATA, PG2	--	01/20/25	ET

TOP PLUNGER




BOTTOM PLUNGER

Pointing Accuracy: ± 0.05 mm

Spring Force: ± 3g

STATE	TRAVEL	SPRING FORCE
Initial Travel	--	2.8g (0.116oz)
Recommended Travel	0.80mm (0.0315")	6.4g (0.228oz)
Full Travel	1.30mm (0.0512")	8.4g (0.296oz)

PART	MATERIAL	FINISH
Spring	Stainless Steel	Gold Plated
Barrel	Phosphor Bronze	Gold Plated
Top Plunger	Hardened Beryllium Copper	Gold Plated
Bottom Plunger	Hardened Beryllium Copper	Gold Plated

CONTRACT NO. --		 INTERCONNECT SYSTEMS INTL, LLC a molex company 741 FLYNN ROAD, CAMARILLO, CALIFORNIA 93012 805-482-2870 MAIN 805-482-8470 FAX					
CAGE CODE 3F8U4							
PREPARED BY R.FLORES	DATE 01/20/25	POGO PIN, 0.50mm Pitch, E/E Plungers, 6.4g Spring Force, Stainless Steel Spring					
DESIGNER ET	DATE 01/20/25						
CHECKER JAG	DATE 01/20/25						
QA --	DATE --						
PROCESS ENG. --	DATE --	SIZE A	ROHS YES	SCALE N/A	DRAWING NO. SKT4071	MOLEX PART NUMBER 2220000717	REV B
SAVED AS: SKT4071_B.PDF		FINISHED ASSY: POGO-PIN-9.70-4		SHEET 1 OF 2			

4

3

2

1

4

3

2

DWG NO.

1

SKT4071

THIS DOCUMENT CONTAINS PROPRIETARY INFORMATION AND IS THE PROPERTY OF INTERCONNECT SYSTEMS INTERNATIONAL, LLC (ISI). IT SHALL NOT BE REPRODUCED, COPIED, OR DISCLOSED TO THIRD PARTIES WITHOUT THE PRIOR WRITTEN CONSENT OF ISI.

REVISION HISTORY

REV	DESCRIPTION	ECN	DATE	APRVD
A	INITIAL RELEASE	--	06/18/14	TF
B	ADDED TEST DATA, PG2	--	01/20/25	ET

ISI	POGO-PIN-9.70-4
MOLEX	2220000717
ELECTRICAL SPECIFICATIONS	
Current Rating	2.0A continuous
Bandwidth (Insertion Loss)	4.93GHz @ -1.00dB
Bandwidth (Return Loss)	2.89GHz @ -10.00dB
Propagation Delay	91.05ps
Self-Inductance	1.36nH
Capacitance	1.34pF
MECHANICAL SPECIFICATIONS	
Contact Life	200,000 cycles minimum
Operating Temperature	-55°C to +180°C
Spring Force	6.4g (0.226oz) @ 0.80mm (0.0315")
Recommended Travel	0.80mm (0.0315")
Full Travel	1.30mm (0.0512")
MATERIAL SPECIFICATIONS	
Plunger	Hardened BeCu / Au Plated
Plunger	Hardened BeCu / Au Plated
Barrel	Phosphor Bronze / Au Plated
Spring	Stainless Steel / Au Plated



INTERCONNECT SYSTEMS INTL, LLC
a mollex company

741 FLYNN ROAD, CAMARILLO, CALIFORNIA 93012
805-482-2870 MAIN | 805-482-8470 FAX

SIZE	ROHS	SCALE	FINISHED ASST:	REV
A	YES	N/A	POGO-PIN-9.70-4	B
DRAWING NO. SKT4071_B.PDF		MOLEX PART NUMBER: 2220000717		SHEET 2 OF 2