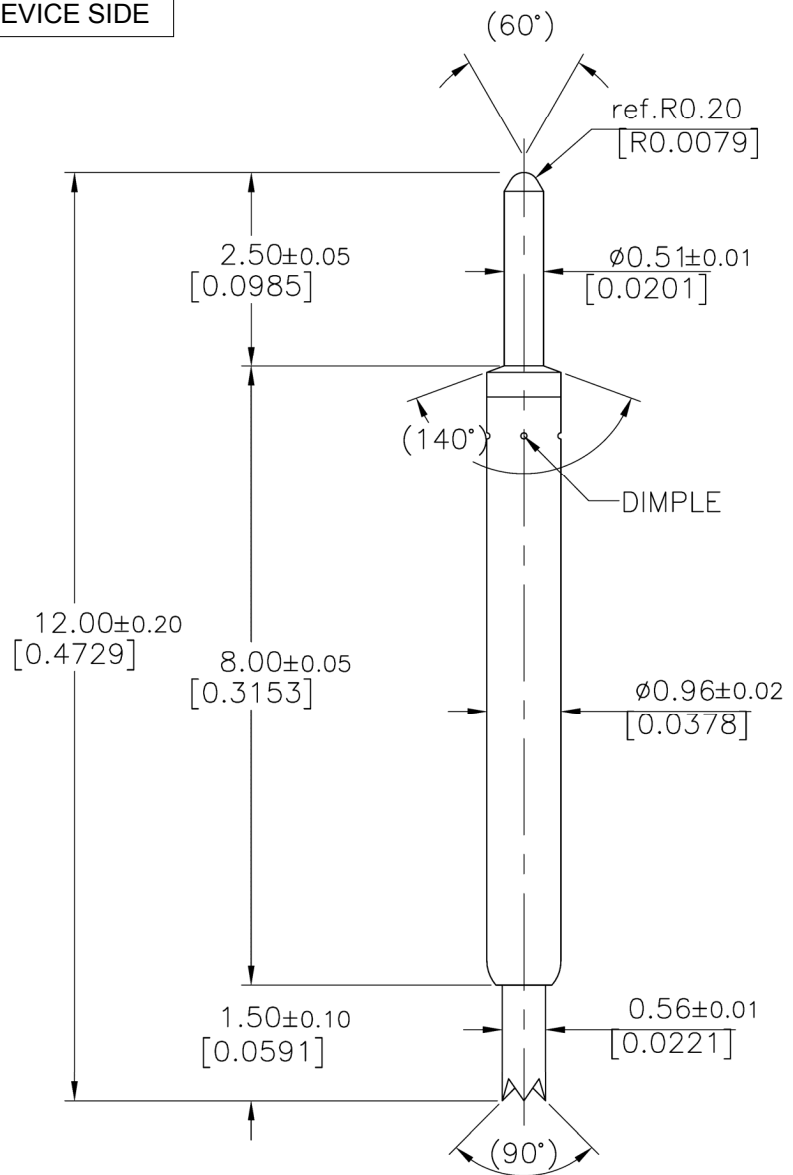


REV	DESCRIPTION	DATE	BY
A	NEW DRAWING	03/11/13	JAG

SKT3893

DEVICE SIDE



BOARD SIDE

Pointing Accuracy: ± 0.06 mm
Spring Force: ± 20%

STATE	TRAVEL	SPRING FORCE
Initial Travel	--	48.7 g (1.718 oz)
Recommended Travel	1.02 mm (0.0402)	81.0 g (2.857 oz)
Full Travel	1.48 mm (0.0583)	95.2 g (3.358 oz)

PART	MATERIAL	FINISH
Terminal (Device Side)	Brass	Gold Plated
Plunger (Board Side)	Brass	Gold Plated
Barrel	Phosphor Bronze	Gold Plated
Spring	Music Wire	Gold Plated

DIMENSIONS ARE IN MM UNLESS OTHERWISE SPECIFIED
SPECIFIED TOLERANCES ARE:
X.X ±0.100MM ANGULAR: X.X° ±1.0°
X.XX ±0.050MM X.XX° ±0.5°
X.XXX ±0.025MM

ALL DIMENSIONS ARE IN MILLIMETERS UNLESS OTHERWISE SPECIFIED

EMULATION TECHNOLOGY, INC.
— VLSI and SMT ADAPTERS and ACCESSORIES —

759 FLYNN ROAD
CAMARILLO, CA 93012
TEL: (805) 383-8480
FAX: (805) 383-8484

SHEET: 1 OF 1 DATE: 03/11/13 REVISION: A

CHECKED: PREPARED BY: J. GELACIO ITEM: ASSEMBLY DRAWING

DESCRIPTION: POGO-PIN-12.0-2

DO NOT SCALE DRAWING