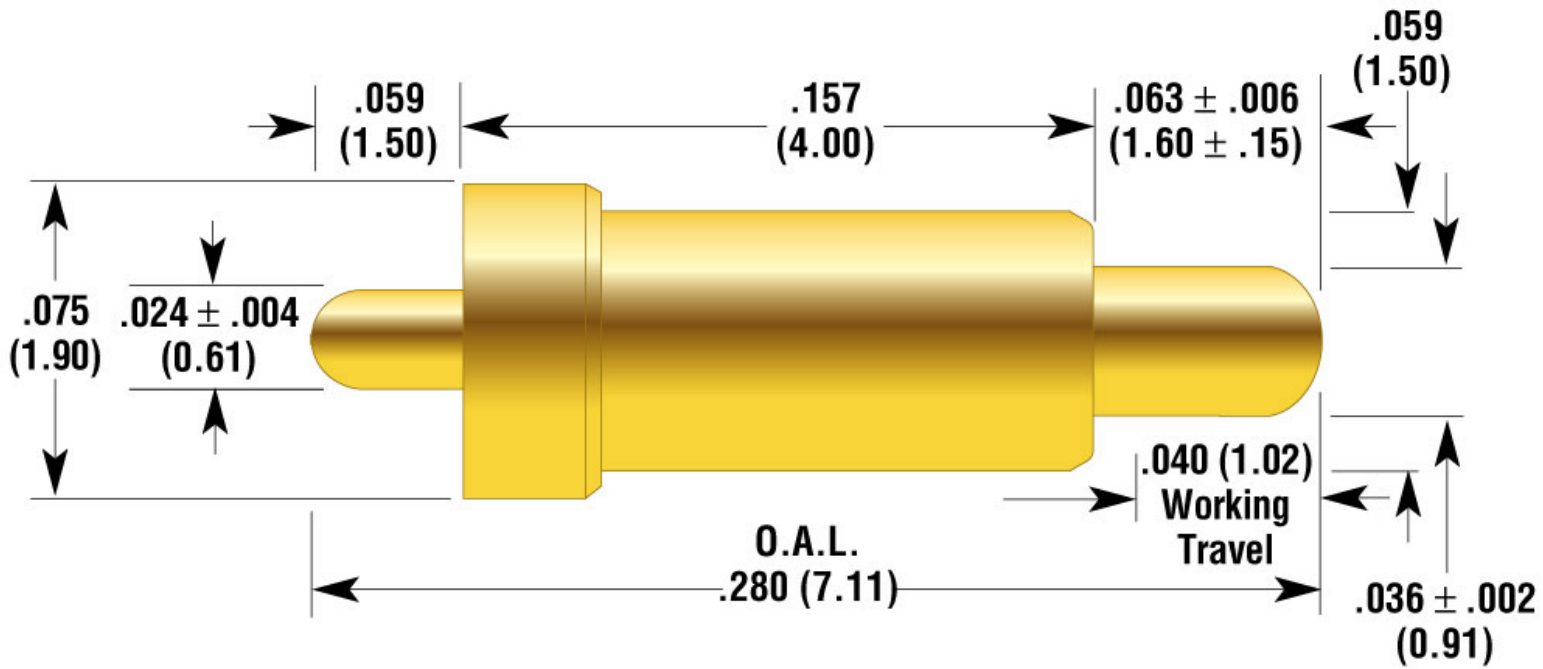


REV	DESCRIPTION	DATE	BY
A	NEW DRAWING	01/19/11	JAG
B	UPDATED DRAWING & NOTES	02/12/14	JAG

SKT3579



NOTES Unless otherwise specified

TEST CENTER: .100 [2.54]

OPERATING TEMPERATURE: -35⁰ to +150⁰

MECHANICAL SPECIFICATIONS

Full Travel: .062 [1.57]
 Working Travel: .040 [1.02]
 Life Exceeds: 100K cycles
 Overall Length: .280 [7.11]

MATERIAL AND FINISHES

Plunger: Brass, gold plated over hard nickel
 Barrel: Brass, gold plated over hard nickel
 Spring: Stainless steel, gold plated

ELECTRICAL SPECIFICATIONS

Current Rating: 10 amps

PROBE RESISTANCE

Average Probe Resistance: 25 mOhms

SPRING FORCE

Standard:

Preload – oz(g)

1.63 [46]

Working Travel – oz (g)

4.50 [128]

UNLESS OTHERWISE SPECIFIED,
 DIMENSIONS ARE IN INCHES.
 TOLERANCES ARE:
 .X = ±.06
 .XX = ±.03
 .XXX = ±.005
 .XXXX = ±.0005
 ANGLES:
 ±2°
 TAPER ON ANY DIA. .002/IN MAX
 ALL CORNER RADII. .002 MAX

ALL DIMENSIONS ARE IN INCHES [MM] UNLESS OTHERWISE SPECIFIED			
		EMULATION TECHNOLOGY, INC. ——— VLSI and SMT ADAPTERS and ACCESSORIES ———	
		759 FLYNN ROAD CAMARILLO, CA 93012	TEL: (805) 383-8480 FAX: (805) 383-8484
SHEET: 1 OF 1	DATE: 01/19/11	REVISION: B	ASSEMBLY DRAWING
CHECKED:		PREPARED BY: J. GELACIO	ITEM: POGO-PIN-6.93-1
DO NOT SCALE DRAWING			DESCRIPTION: POGO-PIN-6.93-1