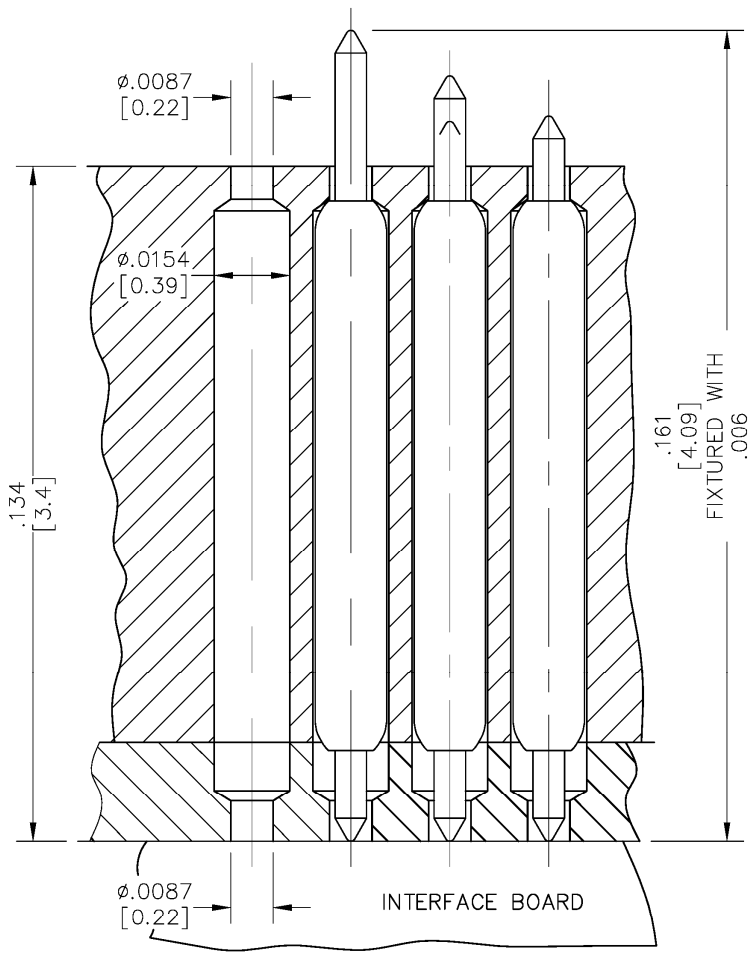
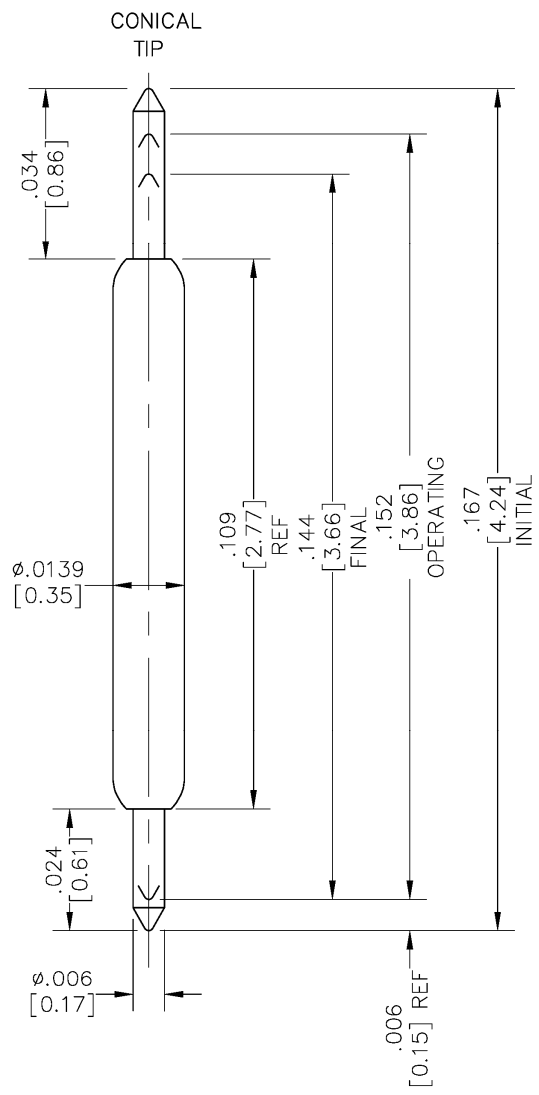


REV	DESCRIPTION	DATE	BY
A	NEW DRAWING	11/22/10	JAG

SKT3556



NOTES

- 1 FORCE
14g (0.5oz) initial
21g (0.8oz) fixed
32g (1.1oz) at op
- 2 FIXED MOUNTING
DIMENSIONS SHOWN
FOR REFERENCE

UNLESS OTHERWISE SPECIFIED
DIMENSIONS ARE IN MILLIMETERS
TOLERANCES:
DECIMALS ANGLES
X ±0.1 ±1°
XX ±0.05
XXX ±0.030

Item No.	Components	Material	QTY	Surface
1	Conical tip plunger	Hardened BeCu	1	Gold plated
2	Barrel	Copper alloy	1	Gold plated
3	Conical tip plunger	Hardened steel	1	Palladium-plated
4	Spring	Music wire	1	Gold plated

ALL DIMENSIONS ARE IN MILLIMETERS UNLESS OTHERWISE SPECIFIED

EMULATION TECHNOLOGY, INC.
— VLSI and SMT ADAPTERS and ACCESSORIES —

759 FLYNN ROAD
CAMARILLO, CA 93012
TEL: (805) 383-8480
FAX: (805) 383-8484

SHEET: 1 OF 1 DATE: 11/22/10 REVISION: A

CHECKED: PREPARED BY: J. GELACIO ITEM: ASSEMBLY DRAWING

DESCRIPTION: POGO-PIN-4.24-1

DO NOT SCALE DRAWING