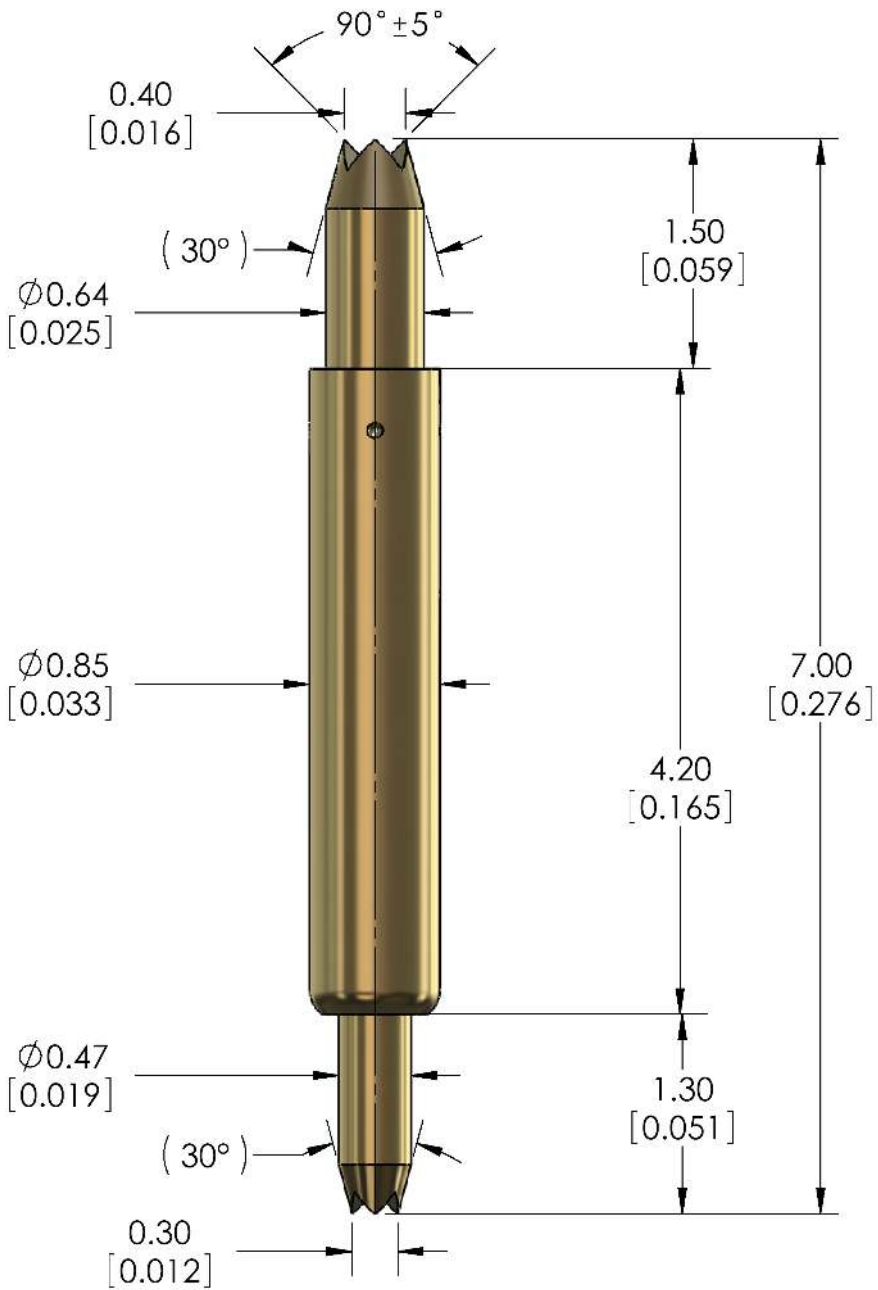


REV	DESCRIPTION	DATE	BY
A	NEW DRAWING	10/08/10	JAG

SKT3535



Current carrying capacity: up to 6 amps

POINTING ACCURACY ± 0.065 mm		
PART	MATERIAL	FINISH
SPRING	STAINLESS STEEL	GOLD PLATED
BARREL	PHOSPHOR BRONZE	GOLD PLATED
TOP PLUNGER	HARDENED BERYLLIUM COPPER	GOLD PLATED
BOTTOM PLUNGER	HARDENED BERYLLIUM COPPER	GOLD PLATED

STATE	TRAVEL (mm)	SPRING FORCE (g)
INITIAL TRAVEL	--	8.2
RECOMMENDED TRAVEL	0.75	37.0
FULL TRAVEL	1.00	46.6

DIMENSIONS ARE IN MM UNLESS OTHERWISE SPECIFIED
 SPECIFIED TOLERANCES ARE:
 X.X ±0.100MM ANGULAR:
 X.XX ±0.050MM X.X° ±1.0°
 X.XXX ±0.025MM X.XX° ±0.5°

ALL DIMENSIONS ARE IN MILLIMETERS UNLESS OTHERWISE SPECIFIED

EMULATION TECHNOLOGY, INC.
 VLSI and SMT ADAPTERS and ACCESSORIES

759 FLYNN ROAD
 CAMARILLO, CA 93012
 TEL: (805) 383-8480
 FAX: (805) 383-8484

SHEET: 1 OF 1	DATE: 10/08/10	REVISION: A	ASSEMBLY DRAWING
CHECKED:	PREPARED BY: J. GELACIO	ITEM: POGO-PIN-7.00-2	
DO NOT SCALE DRAWING			DESCRIPTION: POGO-PIN-7.00-2