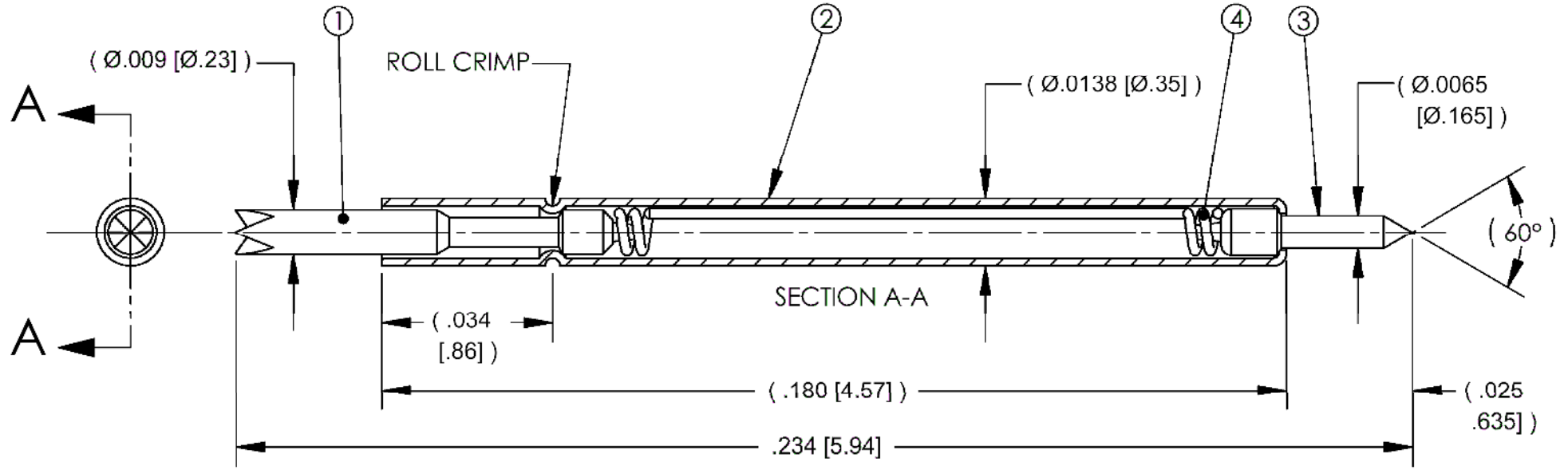


REV	DESCRIPTION	DATE	BY
A	NEW DRAWING	10/07/10	JAG

SKT3531

ITEM	MATERIAL	FINISH	QTY
1	BeCu	Gold	1
2	Phos Bronze	Gold	1
3	BeCu	Gold	1
4	St. Steel	Gold	1



NOTES: UNLESS OTHERWISE SPECIFIED

1. SPRING PRESSURE:
0.3 OZ INITIAL &
0.7 OZ AT 0.020 RECOMMENDED TRAVEL.

UNLESS OTHERWISE SPECIFIED
ALL DIMENSIONS ARE IN INCHES
TOLERANCES ARE:
.X = +/- .03
.XX = +/- .015
.XXX = +/- .005
.XXXX = +/- .0005
TAPER ON ANY DIA. = .002/IN. MAX
ALL CORNER RADII = .005 MAX
ANGLES = +/- 2 DEGREES

ALL DIMENSIONS ARE IN INCHES [MM] UNLESS OTHERWISE SPECIFIED

EMULATION TECHNOLOGY, INC.
— VLSI and SMT ADAPTERS and ACCESSORIES —

759 FLYNN ROAD
CAMARILLO, CA 93012
TEL: (805) 383-8480
FAX: (805) 383-8484

SHEET: 1 OF 1	DATE: 10/07/10	REVISION: A	ASSEMBLY DRAWING
CHECKED:		PREPARED BY: J. GELACIO	ITEM: POGO-PIN-5.94-4
DO NOT SCALE DRAWING			DESCRIPTION: POGO-PIN-5.94-4