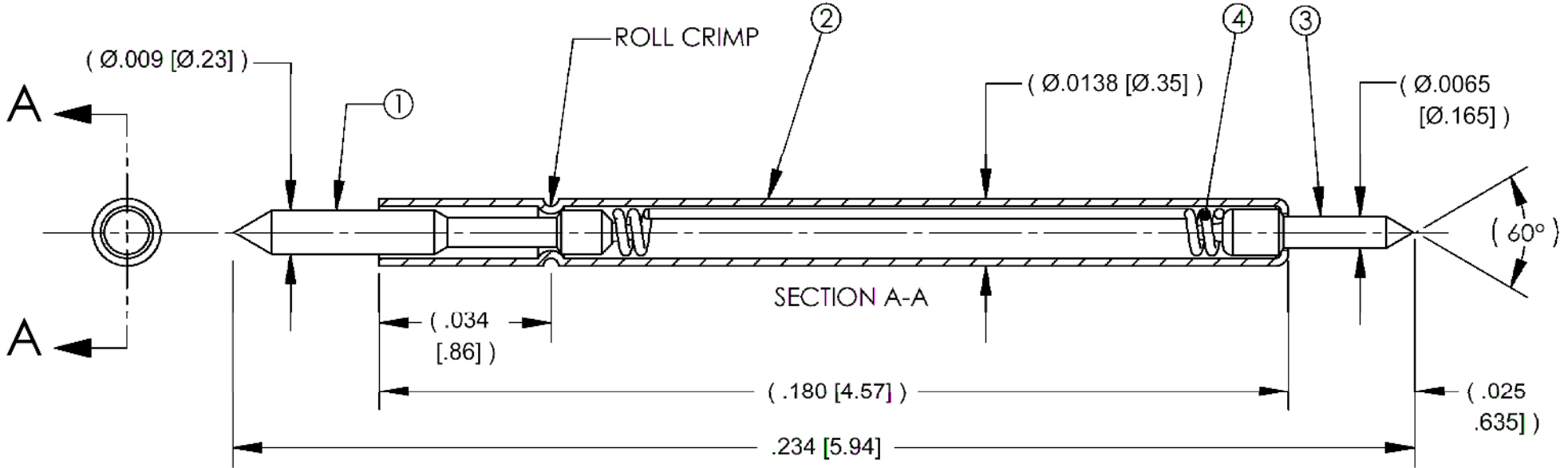


REV	DESCRIPTION	DATE	BY
A	NEW DRAWING	10/07/10	JAG

SKT3530

ITEM	MATERIAL	FINISH	QTY
1	BeCu	Gold	1
2	Phos. Bronze	Gold	1
3	BeCu	Gold	1
4	St. Steel	Gold	1



**NOTES: UNLESS OTHERWISE SPECIFIED**

1. SPRING PRESSURE:  
0.3 OZ INITIAL &  
0.7 OZ AT .020 RECOMMENDED TRAVEL.

UNLESS OTHERWISE SPECIFIED  
ALL DIMENSIONS ARE IN INCHES  
TOLERANCES ARE:  
.X = +/- .03  
.XX = +/- .015  
.XXX = +/- .005  
.XXXX = +/- .0005  
TAPER ON ANY DIA. = .002/IN. MAX  
ALL CORNER RADII = .005 MAX  
ANGLES = +/- 2 DEGREES

ALL DIMENSIONS ARE IN INCHES [MM] UNLESS OTHERWISE SPECIFIED

**EMULATION TECHNOLOGY, INC.**  
— VLSI and SMT ADAPTERS and ACCESSORIES —

759 FLYNN ROAD  
CAMARILLO, CA 93012  
TEL: (805) 383-8480  
FAX: (805) 383-8484

SHEET: 1 OF 1    DATE: 10/07/10    REVISION: A

CHECKED:    PREPARED BY: J. GELACIO    ITEM: ASSEMBLY DRAWING

DESCRIPTION: POGO-PIN-5.94-3

**DO NOT SCALE DRAWING**