

THIS DOCUMENT CONTAINS PROPRIETARY INFORMATION AND IS THE PROPERTY OF INTERCONNECT SYSTEMS INTL, LLC. IT SHALL NOT BE REPRODUCED, COPIED, OR DISCLOSED TO THIRD PARTIES WITHOUT PRIOR WRITTEN CONSENT OF INTERCONNECT SYSTEMS INTL.

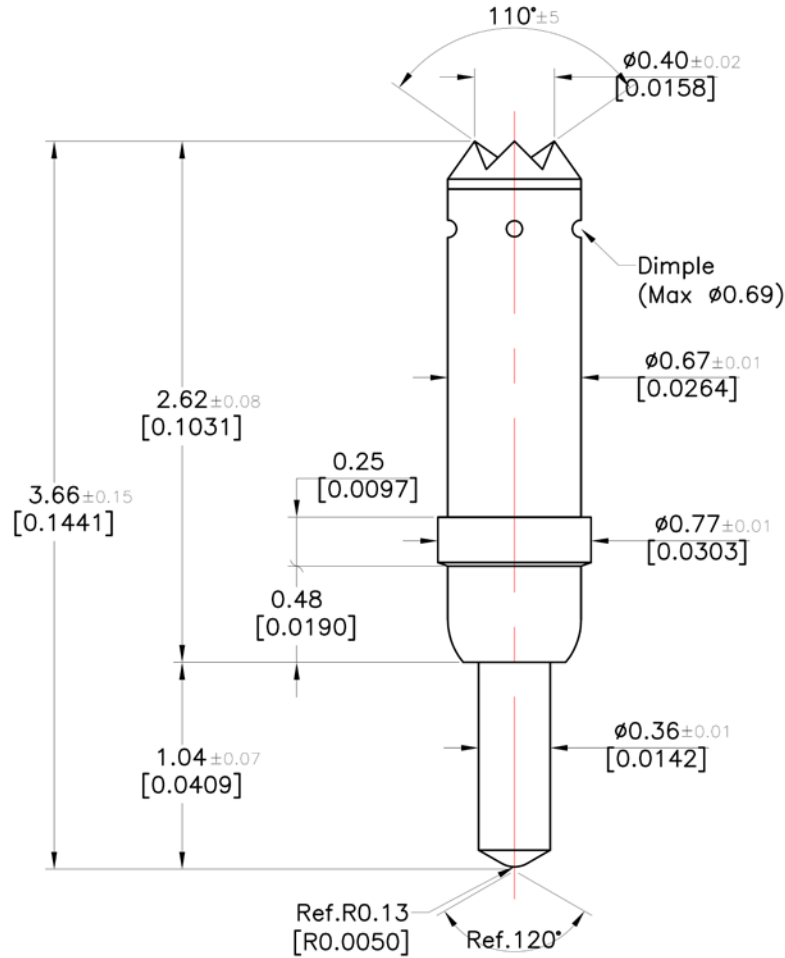
DWG NO. 1 SKT3232

REVISION HISTORY

REV	DESCRIPTION	ECN	DATE	APR'D
A	INITIAL RELEASE	--	02/04/09	JAG
B	UPDATED SPRING FORCE, SAP PN	--	03/10/21	RF

TERMINAL (DEVICE SIDE)

Ball Contact Angle



PLUNGER (BOARD SIDE)

Pointing Accuracy: ± 0.07 mm

Spring Force: ± 20%

STATE	TRAVEL	SPRING FORCE
Initial Travel	--	4.3g (0.153oz)
Recommended Travel	0.80mm (0.0315)	25.0g (0.880oz)
Full Travel	0.90mm (0.0354)	27.4g (1.208oz)

PART	MATERIAL	FINISH
Spring	Music Wire	Gold Plated
Barrel	Phosphor Bronze	Gold Plated
Terminal (Device Side)	Palladium Alloy	Gold Plated
Plunger (Board Side)	Hardened Beryllium Copper	Gold Plated

***NOTE:** It is important to verify the working travel of the probe when designing the fixture or socket. The recommended working travel is 0.80mm and there is only a difference of 0.10mm to full compression. Full compression may cause the pin to fail and damage the device, spring, plungers and/or PCB pads.

DIMENSIONS ARE IN MM. UNLESS OTHERWISE SPECIFIED TOLERANCES ARE:
 DECIMALS: X.X ±0.100 X.XX ±0.050 X.XXX ±0.025
 ANGULAR: X.X° ±1.0° X.XX° ±0.5°

CONTRACT NO.				INTERCONNECT SYSTEMS INTL, LLC a molex company 741 FLYNN ROAD, CAMARILLO, CALIFORNIA 93012 805-482-2870 MAIN 805-482-8470 FAX			
CAGE CODE 3F8U4							
PREPARED BY R.FLORES	DATE 03/10/21	TITLE POGO PIN 1.00mm Pitch, D/H-FIXED, 25.0g SF, Au Plate Finish					
DESIGNER ET	DATE 03/10/21						
CHECKER ET	DATE 03/10/21						
QA --	DATE --						
PROCESS ENG. --	DATE --	SIZE A	ROHS 6/6	SCALE N/A	DRAWING NO. POGO-PIN-3.66-1	MOLEX PART NUMBER 2220000755	REV B
SAVED AS: SKT3232_B.PDF			FINISHED ASSY: --		SHEET 1 OF 1		