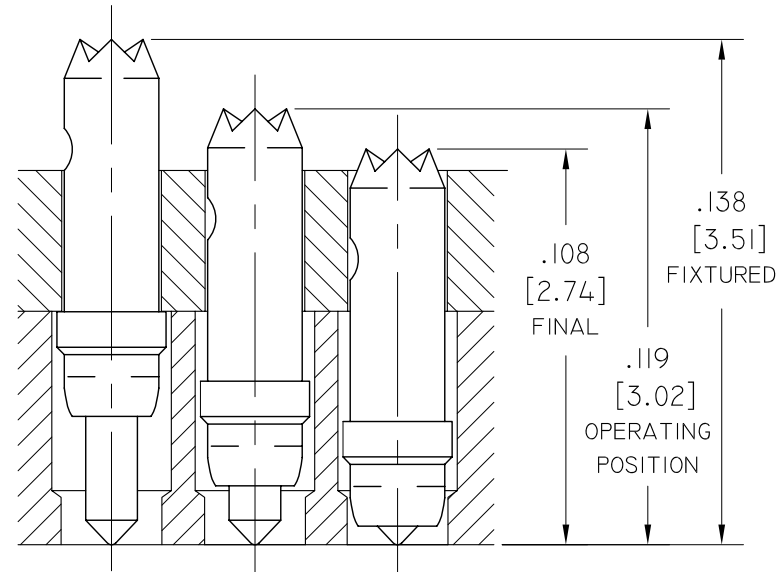
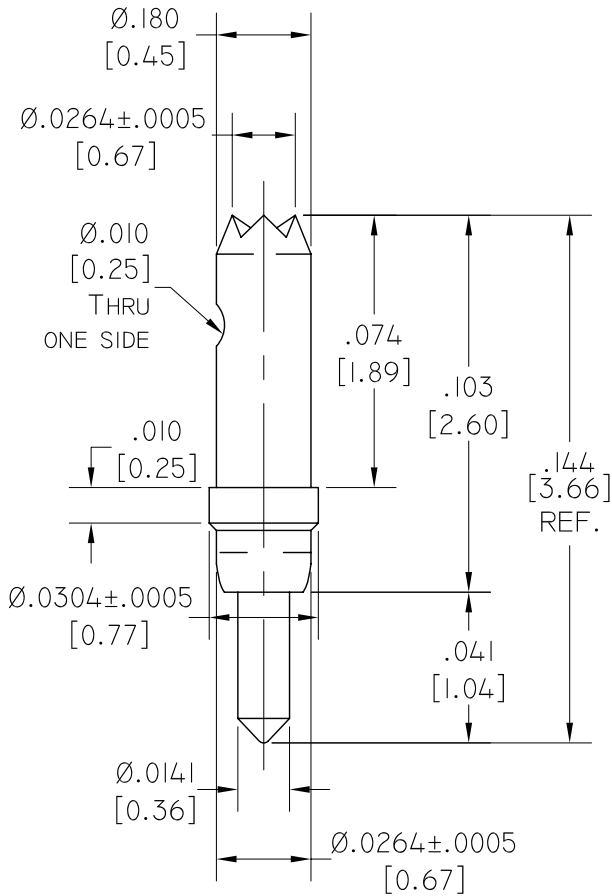


| REV | DESCRIPTION | DATE     | BY  |
|-----|-------------|----------|-----|
| A   | NEW DRAWING | 02/04/09 | JAG |

SKT3232



NOTES

- 1 FORCE
  - 8 GRAMS (0.3 OZ) INITIAL
  - 13 GRAMS (0.5 OZ) FIX'D
  - 34 GRAMS (1.1 OZ) AT OP
  - 46 GRAMS (1.6 OZ) FINAL
- 2 FIXTURED MOUNTING DIMENSIONS SHOWN FOR REFERENCE
- 3 SELF INDUCTANCE = 0.72nH

UNLESS OTHERWISE SPECIFIED:  
DIMENSIONS ARE IN MILLIMETERS  
TOLERANCES:  
DECIMALS ANGLES ±1'  
XX ±0.1  
XX ±0.05  
XXX ±0.030

ALL DIMENSIONS ARE IN MILLIMETERS UNLESS OTHERWISE SPECIFIED

**EMULATION TECHNOLOGY, INC.**  
VLSI and SMT ADAPTERS and ACCESSORIES

759 FLYNN ROAD  
CAMARILLO, CA 93012  
TEL: (805) 383-8480  
FAX: (805) 383-8484

|                      |                   |                            |                                 |
|----------------------|-------------------|----------------------------|---------------------------------|
| SHEET:<br>1 OF 1     | DATE:<br>02/04/09 | REVISION:<br>A             | <b>ASSEMBLY DRAWING</b>         |
| CHECKED:             |                   | PREPARED BY:<br>J. GELACIO | ITEM:<br>POGO-PIN-3.66-1        |
| DO NOT SCALE DRAWING |                   |                            | DESCRIPTION:<br>POGO-PIN-3.66-1 |