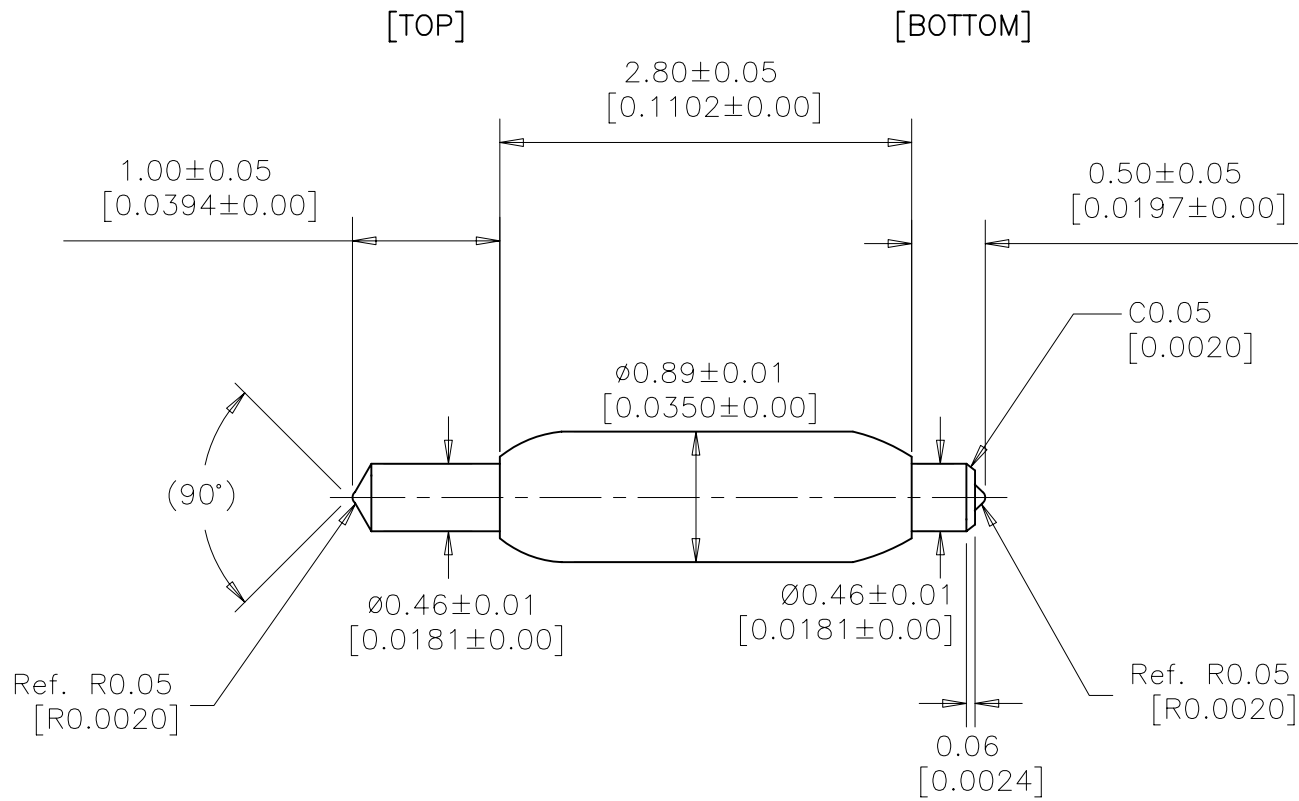


REV	DESCRIPTION	DATE	BY
A	NEW DRAWING	03/24/08	JAG

SKT3077



POINTING ACCURACY: ±0.065mm


SPRING FORCE: [±20%]

- 5.0g (0.176oz) AT INITIAL TRAVEL
- 28.0g (0.988oz) AT 0.85mm (0.0335) RECOMMENDED TRAVEL
- 30.0g (1.058oz) AT 0.95mm (0.0374) FULL TRAVEL

MATERIAL & FINISH

PLUNGER-TOP	HARDENED BERYLLIUM COPPER / GOLD PLATED
PLUNGER-BOTTOM	HARDENED BERYLLIUM COPPER / GOLD PLATED
BARREL	PHOSPHOR BRONZE / GOLD PLATED
SPRING	STAINLESS STEEL / GOLD PLATED

ALL DIMENSIONS ARE IN MILLIMETERS UNLESS OTHERWISE SPECIFIED



EMULATION TECHNOLOGY, INC.
 — VLSI and SMT ADAPTERS and ACCESSORIES —

759 FLYNN ROAD
 CAMARILLO, CA 93012

TEL: (805) 383-8480
 FAX: (805) 383-8484

SHEET: 1 OF 1	DATE: 03/24/08	REVISION: A	ASSEMBLY DRAWING
CHECKED:	DRAWN: Janice A. Gelacio		
DO NOT SCALE DRAWING			DESCRIPTION: POGO-PIN-4.30-2