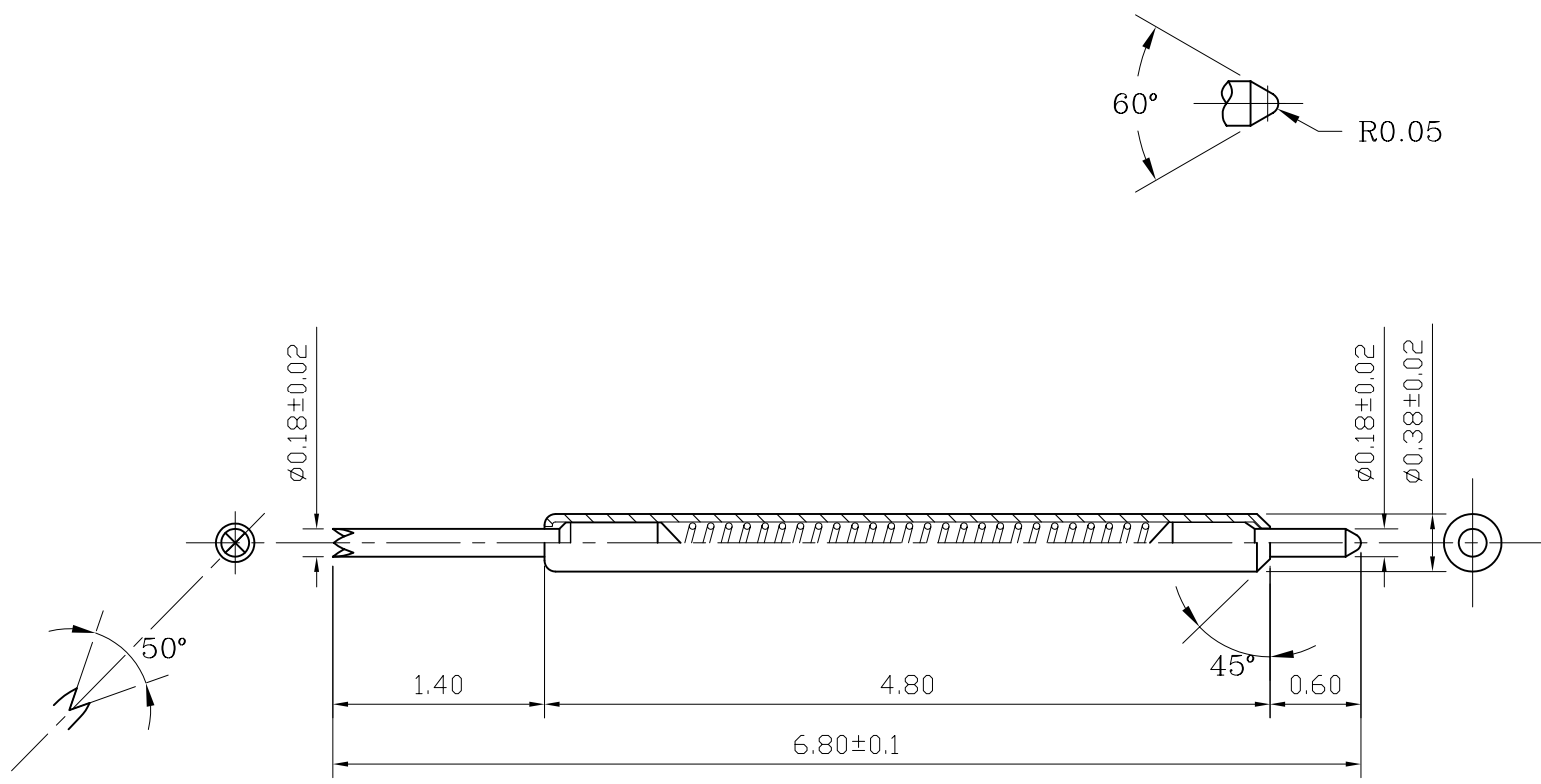
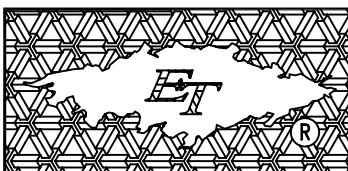


REV	DESCRIPTION	DATE	BY
A	NEW DRAWING	07/30/07	H.N.

SKT2966



NOTES:  
 THE Max. RECOMMENDED TRAVEL IS 1.0mm AT WHICH PIN THE SPRING FORCE IS 30g.  
 THE STANDARD TRAVEL IS 0.5mm ON TOP PLUNGER AND THE FORCE AT THAT POINT IS 18g.



**Emulation Technology, Inc.**  
 — VLSI and SMT ADAPTERS and ACCESSORIES —

2344 Walsh Avenue, Bldg.F  
 Santa Clara, Ca 95051  
 TEL:(408)982-0660  
 FAX:(408)982-0664

DIMENSIONS ARE IN MILLIMETERS	
TOLERANCES:	
DECIMALS	ANGLES
X ±0.1	±1°
XX ±0.05	
XXX ±0.030	

SHEET: 1 OF 1	DATE: 07/30/07	REVISION: A	<b>ASSEMBLY DRAWING</b>
CHECKED:	DRAWN: H.N.		
Scale N/A	DO NOT SCALE DRAWING		
ITEM: POGO-PIN-6.80-1			DESCRIPTION: POGO-PIN-6.80-1
DESCRIPTION: POGO-PIN-6.80-1			