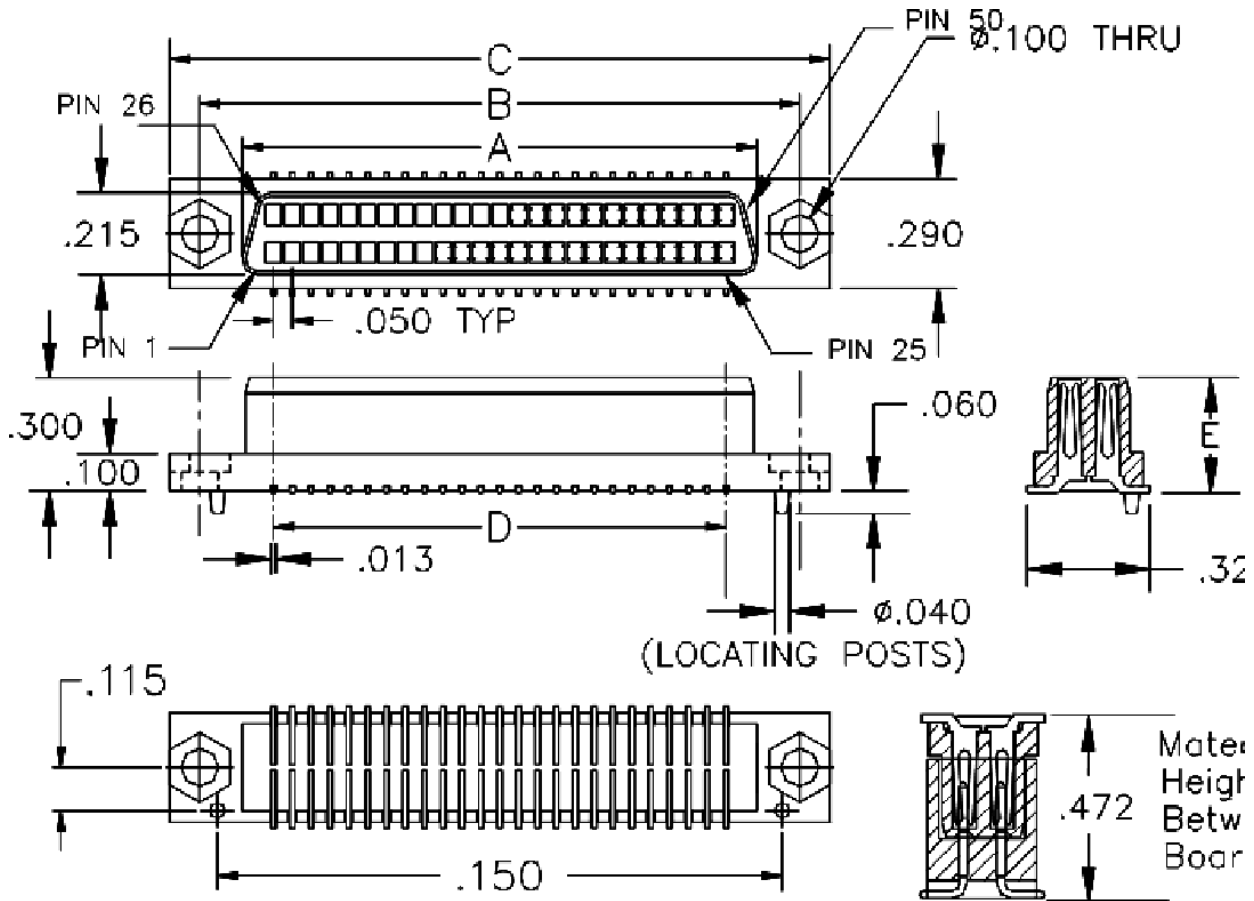
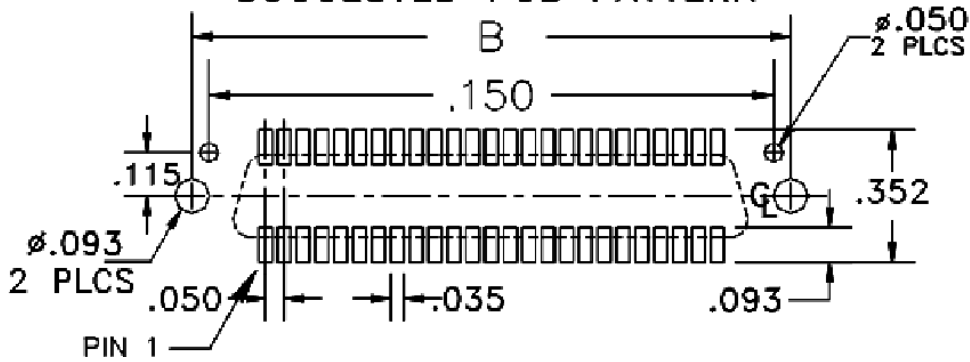


.050	Socket	Industry Pack Module w locating pins	Female	Surface Mount
------	--------	--------------------------------------	--------	---------------

Industry Pack Mezzaine Connector - Female used on IP Module – Surface Mount



SUGGESTED PCB PATTERN



Base Part Number	A		B		C		D		E		Plating Options	Number of Postions
	mm	Inch	mm	Inch	mm	Inch	mm	Inch	mm	Inch		
<b>8066</b> IP Module	34.65	1.364	40.39	1.590	44.45	1.750	30.48	1.200	7.75	0.305	G2LF	50

<b>Technical Notes</b>	
<b>Contact Material:</b>	Contact: Stamped – Phosphor Bronze
<b>Insulation Material:</b>	Glass Filled Nylon 46 - UL 94V-0 rated - Black (std)
<b>Heat Deflection:</b>	260°C @ 264 PSI per ASTM D648
<b>Insulation Resistance:</b>	5000 MegOhm @ 500VDC
<b>Current Rating:</b>	1 amps continuous @ 100 VDC/contact
<b>Max Processing Temp:</b>	250°C for 60 seconds
<b>Insertion Force:</b>	76 grams(2.7oz) w/ .016"x.024" pin (typ initial/contact)
<b>Extraction Force:</b>	46 grams(1.6oz) w/ .016"x.024" pin (typ initial/contact)
<b>Plastic:</b>	High Temperature Plastic
<p><b><i>INTERCONNECT SYSTEMS INC.</i></b>            741 Flynn Road, Camarillo, Ca 93012 · (805) 482-2870 · fax (805) 482-8470 · e-mail:<a href="mailto:info@isipkg.com">info@isipkg.com</a></p>	