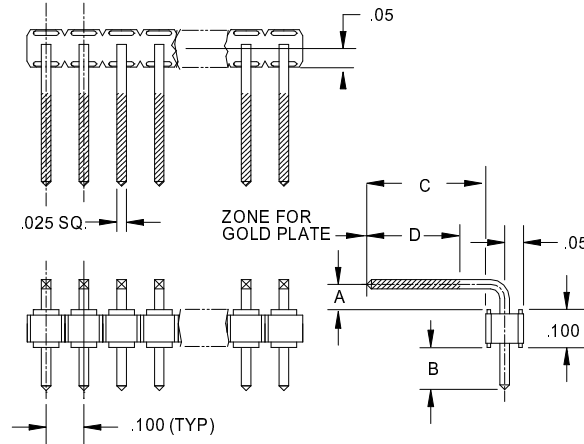


.100	Header	Single Row - High Profile	Rt Angle	Thru Hole
-------------	---------------	----------------------------------	-----------------	------------------

.100 inch Center - .025 inch Square Pin - High Profile - Single Row Right Angle Header



Base Part Number	A		B		C		D		E		Plating Options	Number of Positions
	mm	Inch	mm	Inch	mm	Inch	mm	Inch	mm	Inch		
4311R	1.52	0.060	2.79	0.110	5.84	0.230	5.84	0.230			G2LF : G1 : TLF	2-40
4329R	1.52	0.060	5.33	0.210	5.84	0.230	5.84	0.230			G2LF : G1 : TLF	2-40
4332R	1.52	0.060	3.56	0.140	10.16	0.400	7.87	0.310			G2LF : G1 : TLF	2-40
4331R	1.52	0.060	3.10	0.122	8.08	0.318	5.84	0.230			G2LF : G1 : TLF	2-40
4333R	1.52	0.060	3.56	0.140	12.70	0.500	5.84	0.230			G2LF : G1 : TLF	2-40
4330R	3.18	0.125	4.57	0.180	7.49	0.295	5.84	0.230			G2LF : G1 : TLF	2-40
4324R	3.81	0.150	3.56	0.140	7.87	0.310	5.84	0.230			G2LF : G1 : TLF	2-40

Technical Notes	
Contact Material:	Pin: Phosphor Bronze - .025 inch sq pin - burr free both ends
Insulation Material:	Glass Filled Nylon 46 - UL 94V-0 rated - Black (std)
Heat Deflection:	260°C @ 264 PSI per ASTM D648
Insulation Resistance:	5000 MegOhm @ 500VDC
Current Rating:	3 amps continuous @ 100 VDC/contact
Max Processing Temp:	250°C for 60 seconds
Plastic:	High Temperature Plastic
INTERCONNECT SYSTEMS INC.	
741 Flynn Road, Camarillo, Ca 93012 · (805) 482-2870 · fax (805) 482-8470 · e-mail: info@isipkg.com	