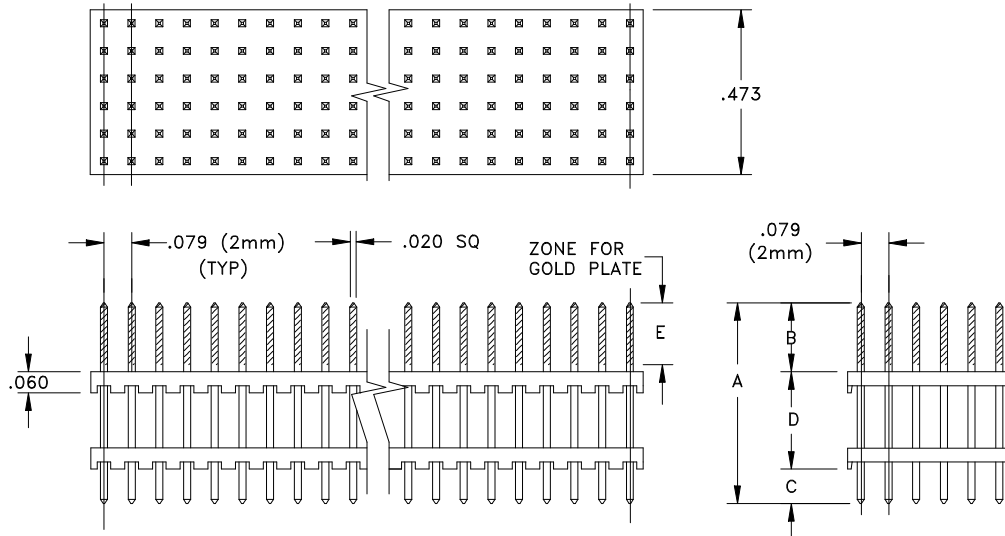


2mm	Header	Six Row - Stacking	Straight	Thru Hole
-----	--------	--------------------	----------	-----------

2mm Center, .020" Square Pin, Board Stacking, 6 Row Straight Header



Base Part Number	A		B		C		D		E		Plating Options	Number of Positions
	mm	Inch	mm	Inch	mm	Inch	mm	Inch	mm	Inch		
MD6-100/120/100 "MD6-"B"/"D"/"C"	8.13	0.320	2.54	0.100	2.54	0.100	3.05	0.120	3.56	0.140	G2LF : TLF	12-150
MD6-140/120/075 "MD6-"B"/"D"/"C"	8.51	0.335	3.56	0.140	1.90	0.075	3.05	0.120	3.56	0.140	G2LF : TLF	12-150
MD6-100/135/100 "MD6-"B"/"D"/"C"	8.51	0.335	2.54	0.100	2.54	0.100	3.43	0.135	3.56	0.140	G2LF : TLF	12-150
MD6-140/120/125 "MD6-"B"/"D"/"C"	9.78	0.385	3.56	0.140	3.18	0.125	3.05	0.120	3.56	0.140	G2LF : TLF	12-150
MD6-100/210/100 "MD6-"B"/"D"/"C"	10.41	0.410	2.54	0.100	2.54	0.100	5.33	0.210	3.56	0.140	G2LF : TLF	12-150
MD6-140/160/110 "MD6-"B"/"D"/"C"	10.41	0.410	3.56	0.140	2.79	0.110	4.06	0.160	3.56	0.140	G2LF : TLF	12-150
MD6-140/295/110 "MD6-"B"/"D"/"C"	13.84	0.545	3.56	0.140	2.79	0.110	7.49	0.295	3.56	0.140	G2LF : TLF	12-150
MD6-140/320/110 "MD6-"B"/"D"/"C"	14.48	0.570	3.56	0.140	2.79	0.110	8.13	0.320	3.56	0.140	G2LF : TLF	12-150
MD6-100/370/100 "MD6-"B"/"D"/"C"	14.48	0.570	2.54	0.100	2.54	0.100	9.40	0.370	3.56	0.140	G2LF : TLF	12-150
MD6-140/400/110 "MD6-"B"/"D"/"C"	16.51	0.650	3.56	0.140	2.79	0.110	10.16	0.400	3.56	0.140	G2LF : TLF	12-150
MD6-100/450/100 "MD6-"B"/"D"/"C"	16.51	0.650	2.54	0.100	2.54	0.100	11.43	0.450	3.56	0.140	G2LF : TLF	12-150
MD6-140/480/110 "MD6-"B"/"D"/"C"	18.54	0.730	3.56	0.140	2.79	0.110	12.19	0.480	3.56	0.140	G2LF : TLF	12-150
MD6-100/530/100 "MD6-"B"/"D"/"C"	18.54	0.730	2.54	0.100	2.54	0.100	13.46	0.530	3.56	0.140	G2LF : TLF	12-150
MD6-140/750/100 "MD6-"B"/"D"/"C"	25.15	0.990	3.56	0.140	2.54	0.100	19.05	0.750	3.56	0.140	G2LF : TLF	12-150
MD6-140/906/100 "MD6-"B"/"D"/"C"	29.11	1.146	3.56	0.140	2.54	0.100	23.01	0.906	3.56	0.140	G2LF : TLF	12-150

<b>Technical Notes</b>	
<b>Contact Material:</b>	Pin: Phosphor Bronze - .020”sq pin, drawn wire, burr free both ends
<b>Insulation Material:</b>	Glass Filled Nylon 46 - UL 94V-0 rated - Black (std)
<b>Heat Deflection:</b>	260°C @ 264 PSI per ASTM D648
<b>Insulation Resistance:</b>	5000 MegOhm @ 500VDC
<b>Current Rating:</b>	2 amps continuous @ 100 VDC/contact
<b>Max Processing Temp:</b>	250°C for 60 seconds
<b>Plastic:</b>	High Temperature Plastic
<p><b><i>INTERCONNECT SYSTEMS INC.</i></b>            741 Flynn Road, Camarillo, Ca 93012 · (805) 482-2870 · fax (805) 482-8470 · e-mail: <a href="mailto:info@isipkg.com">info@isipkg.com</a></p>	