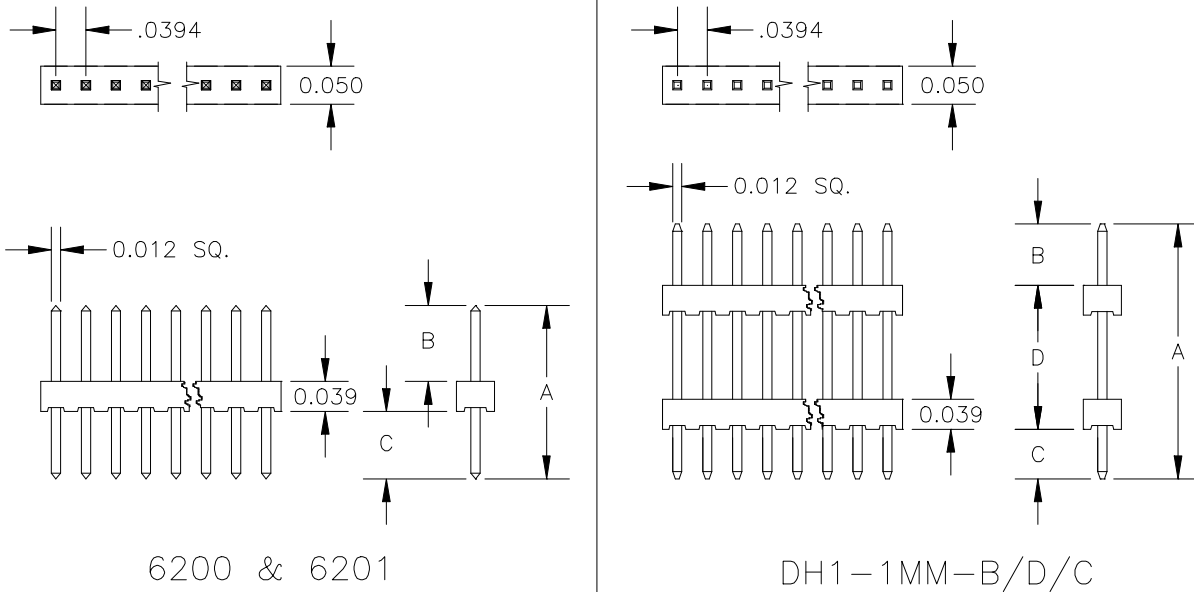


1mm	Header	Single Row – with stacking option	Straight	Thru Hole
-----	--------	-----------------------------------	----------	-----------

1mm Center, .012" Square Pin, Single Row Straight Header – with stacking option



Base Part Number	A		B		C		D		E		Plating Options	Number of Positions
	mm	Inch	mm	Inch	mm	Inch	mm	Inch	mm	Inch		
6200	5.33	0.210	2.79	0.110	1.52	0.060					G1 : TLF	2-40
6201	6.35	0.250	2.79	0.110	2.54	0.100					G1 : TLF	2-40
DH1-1MM-070/250/070 DH1-1MM-B/D/C	9.91	0.390	1.78	0.070	1.78	0.070	6.35	0.250			G1 : TLF	2-40
DH1-1MM-070/300/070 DH1-1MM-B/D/C	11.18	0.440	1.78	0.070	1.78	0.070	7.62	0.300			G1 : TLF	2-40

Technical Notes	
Contact Material:	Pin: Phosphor Bronze - .012"sq pin, drawn wire, burr free both ends
Insulation Material:	Glass Filled Nylon 46 - UL 94V-0 rated - Black (std)
Heat Deflection:	260°C @ 264 PSI per ASTM D648
Insulation Resistance:	5000 MegOhm @ 500VDC
Current Rating:	1 amps continuous @ 100 VDC/contact
Max Processing Temp:	250°C for 60 seconds
Plastic:	High Temperature Plastic
INTERCONNECT SYSTEMS INC.	
741 Flynn Road, Camarillo, Ca 93012 · (805) 482-2870 · fax (805) 482-8470 · e-mail: info@isipkg.com	