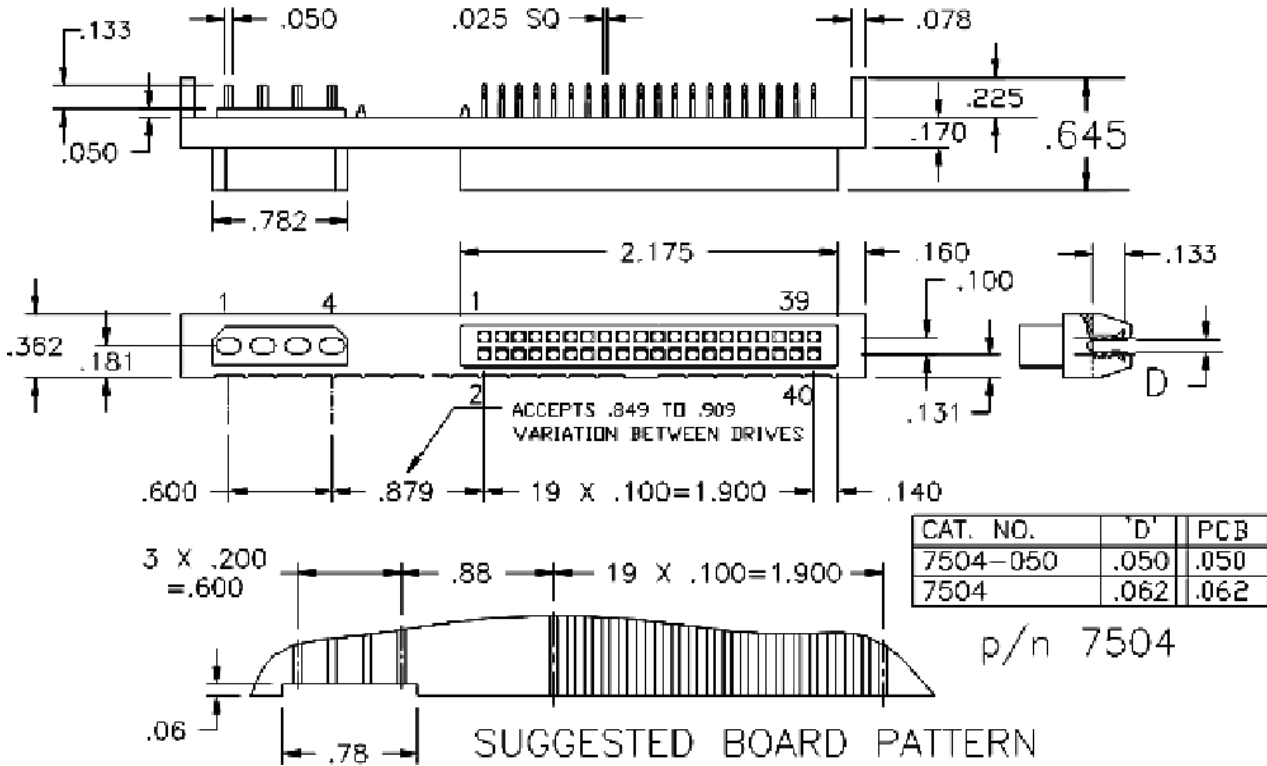


.100	HDD	40 Female + 4 Female Power	Straddle Mount
------	-----	----------------------------	----------------

Disk Drive IDE Combo Conn: 40 Female + 4 Female Power – PCB Edge mount



Base Part Number	A		B		C		D		E		Plating Options	Number of Postions
	mm	Inch	mm	Inch	mm	Inch	mm	Inch	mm	Inch		
7504 7504-050											X	One Per

Technical Notes	
Match with Drives from:	Seagate – IBM – Quantum (see Maxtor model list) – Fujitsu - Samsung
Insulation Material:	Glass Filled Nylon 46 - UL 94V-0 rated - Black (std)
Insulation Resistance:	5000 MegOhm @ 500VDC
Plating:	Power = tin : Signal = G2LF (gold/ tin)
Max Processing Temp:	250°C for 60 seconds
Insertion Force:	11 pounds (5.0 kg) total
Extraction Force:	6.8 pounds (3.0 kg) total
Plastic:	High Temperature Plastic
INTERCONNECT SYSTEMS INC.	
741 Flynn Road, Camarillo, Ca 93012 · (805) 482-2870 · fax (805) 482-8470 · e-mail: info@isipkg.com	