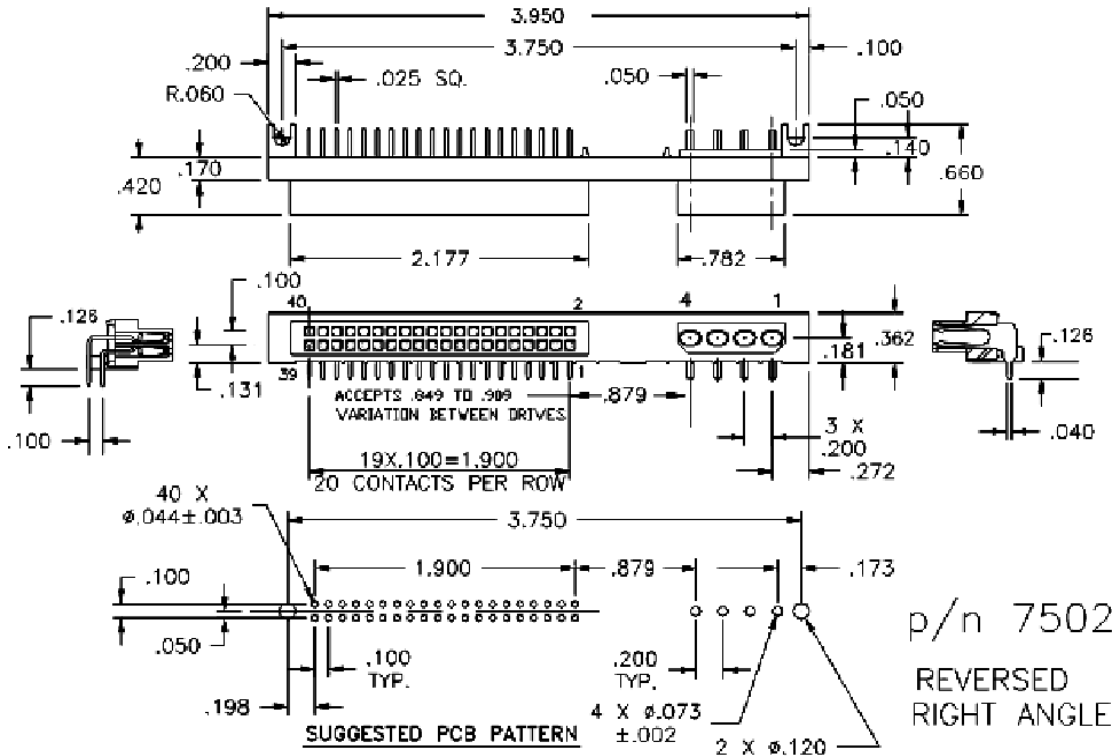


| | | | | |
|------|-----|------------------------------------|-------------|--------------------------|
| .100 | HDD | 40 Female + 4 Female Power Reverse | Right Angle | Signal pins on left side |
|------|-----|------------------------------------|-------------|--------------------------|

Disk Drive IDE Combo Conn: 40 Female + 4 Female Power – Reversed Right Angle



| Base Part Number | A | | B | | C | | D | | E | | Plating Options | Number of Postions |
|--------------------|----|------|----|------|----|------|----|------|----|------|-----------------|--------------------|
| | mm | Inch | mm | Inch | mm | Inch | mm | Inch | mm | Inch | | |
| 7502 | | | | | | | | | | | X | One Per |
| 7502HS Hot Swap | | | | | | | | | | | X | One Per |

| Technical Notes | |
|--|---|
| Match with Drives from: | Seagate – IBM – Quantum (see Maxtor model list) – Fujitsu – Samsung |
| Insulation Material: | Glass Filled Nylon 46 - UL 94V-0 rated - Black (std) |
| Insulation Resistance: | 5000 MegOhm @ 500VDC |
| Plating: | Power = tin : Signal = G2LF (gold/ tin) |
| Max Processing Temp: | 250°C for 60 seconds |
| Insertion Force: | 11 pounds (5.0 kg) total |
| Extraction Force: | 6.8 pounds (3.0 kg) total |
| Plastic: | High Temperature Plastic |
| INTERCONNECT SYSTEMS INC. | |
| 741 Flynn Road, Camarillo, Ca 93012 · (805) 482-2870 · fax (805) 482-8470 · e-mail: info@isipkg.com | |