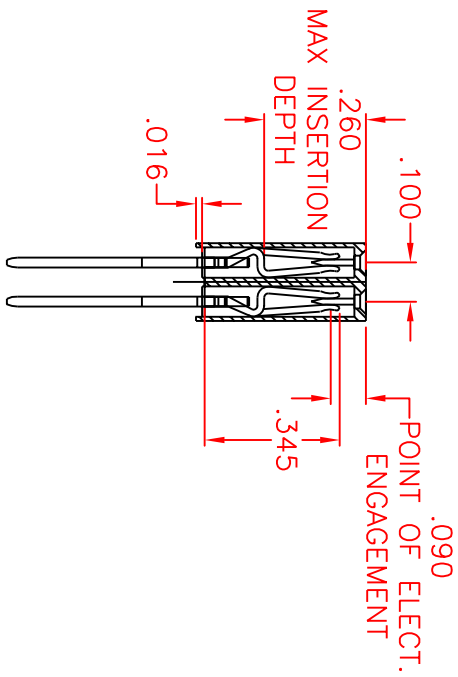
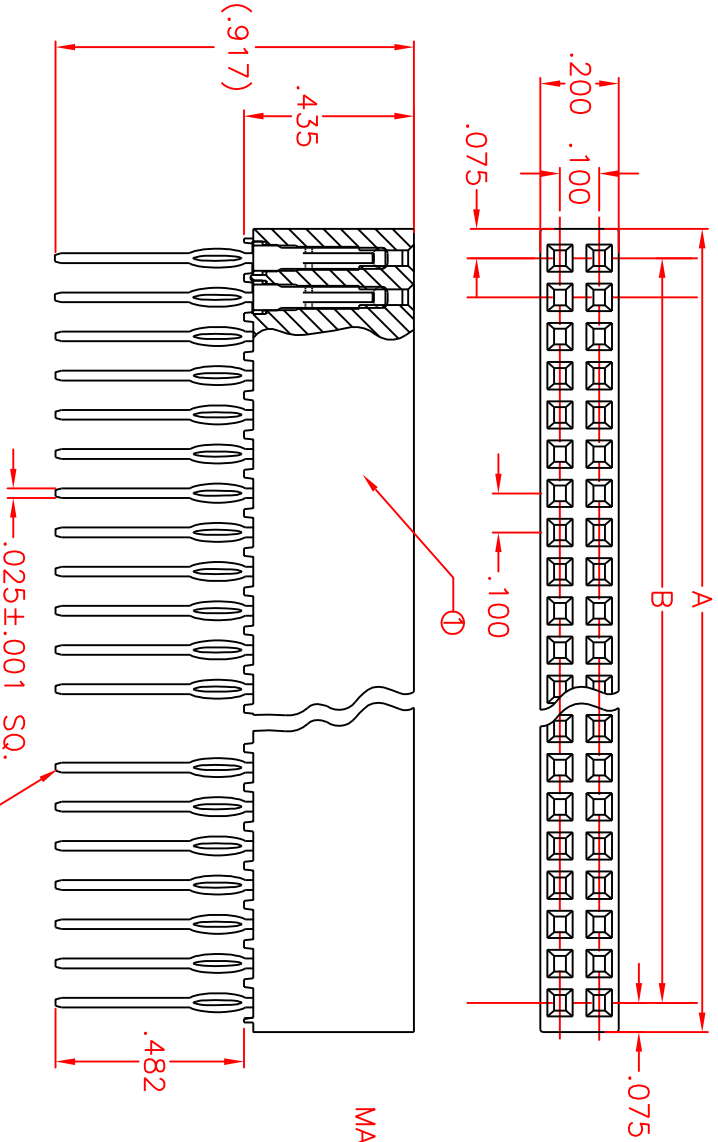


THIS DRAWING CONTAINS PROPRIETARY INFORMATION AND SHALL NOT BE USED, REPRODUCED, COPIED, OR TRANSMITTED IN ANY MANNER OR BY ANY MEANS, ELECTRONIC OR MECHANICAL, INCLUDING PHOTOCOPYING, RECORDING, OR BY ANY INFORMATION STORAGE AND RETRIEVAL SYSTEM, WITHOUT THE WRITTEN PERMISSION OF INTERCONNECT SYSTEMS, INC.

REVISIONS				
ECO NO.	REV.	DESCRIPTION	DATE	APPROVED
91XXX	A	UPDATED	07.12.06	

PART NUMBER	NUMBER OF POS.	DIM 'A'	DIM 'B'
1185PF-40G	40	2.050	1.900
1185PF-64G	64	3.250	3.100



CC P/N 1185PF-XXXX

- INSULATOR MATERIAL: BLACK, 30% GLASS FILLED THERMOPLASTIC, 94V-0 RATED ROHS COMPLIANT OPERATING TEMP RANGE: -65°C TO +250°C CONTACT MATERIAL: PHOSPHORE BRONZE, ALLOY 5100
- FINISH: G - GOLD FLASH PER MIL-G-45204, TYPE II, OVER 50 MICRONS OF NICKEL PER QQ-N-290

PCB SUGGESTED LAYOUT

FIND	QTY	PART NO.	DESCRIPTION
2	A/R	40705-01	SOCK. CONT. PRESS FIT, .100P, .025SQ.
1		40314-XX	2ROW, .100P SOCKET PLASTIC

LIST OF MATERIALS

UNLESS OTHERWISE SPECIFIED: DIMENSIONS ARE IN INCHES AND TOLERANCES ARE: FRACTIONS DECIMALS ANGLES ±1/64 .XX ± .02 ±1' COMM CON WORLDWIDE, INC. a subsidiary of INTERCONNECT SYSTEMS INC.



- INSULATOR MATERIAL: BLACK, 30% GLASS FILLED THERMOPLASTIC, 94V-0 RATED ROHS COMPLIANT OPERATING TEMP RANGE: -65°C TO +250°C CONTACT MATERIAL: PHOSPHORE BRONZE, ALLOY 5100
- FINISH: G - GOLD FLASH PER MIL-G-45204, TYPE II, OVER 50 MICRONS OF NICKEL PER QQ-N-290

DRAWN BY: AM	DATE: 06.18.02	TITLE: 2 ROW, .100P, SOCKET
APPROVED:	DATE:	PC104 PRESS FIT STACK THROUGH
MATERIAL: SEE NOTE 1	CAT. NO: 1185PF-XXXX	SIZE/GAGE NO: A
FINISH: SEE NOTE 2	SCALE: 2:1	DWG NO: 30591
	TOOL: T00131M.DWG	REV: A
		SHEET 1 OF 1