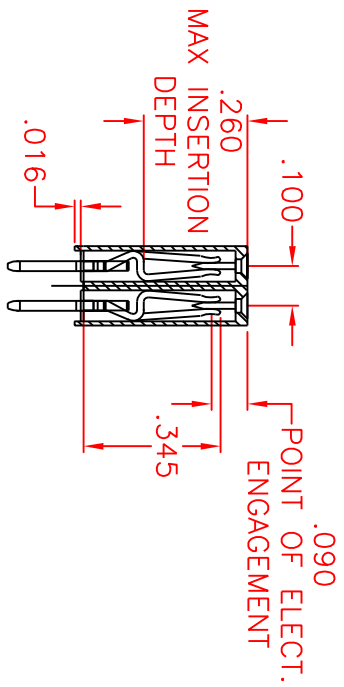
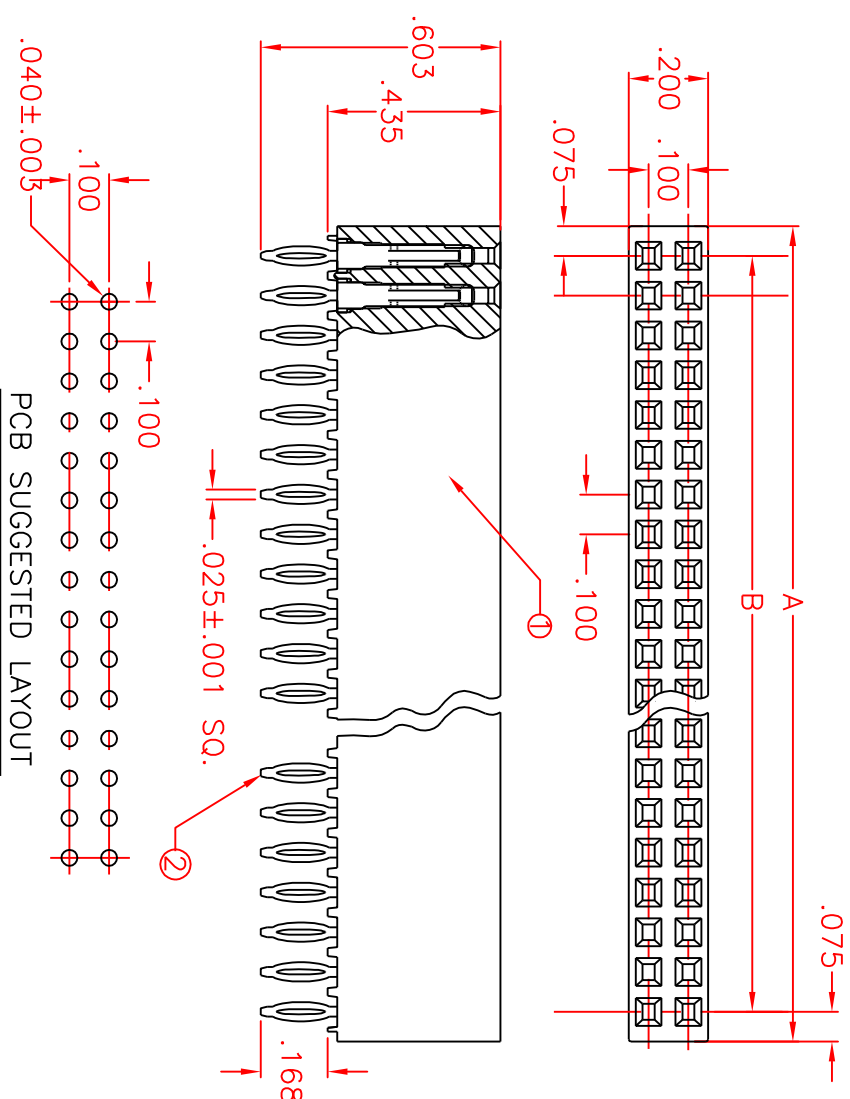


THIS DRAWING CONTAINS PROPRIETARY INFORMATION EXCLUSIVE TO CDM GEN. IT IS THE PROPERTY OF CDM GEN AND IS NOT TO BE REPRODUCED OR DISCLOSED IN WHOLE OR IN PART FOR THE MANUFACTURE, PRODUCTION, OPERATION, MAINTENANCE, REPAIR OR SPECIFICALLY AUTHORIZED IN WRITING BY CDM GEN WORLDWIDE, INC.

REVISIONS				
ECO NO:	REV:	DESCRIPTION	DATE	APPROVED
91XXX	A	UPDATED	07.12.06	

PART NUMBER	NUMBER OF POS.	DIM 'A'	DIM 'B'
1184PF-40G2LF	40	2.050	1.900
1184PF-64G2LF	64	3.250	3.100



2. FINISH: G2LF - GOLD PLATE PER MIL-G-45204, TYPE II, .000010 MIN. ON ENGAGEMENT END, AND PURE BRIGHT TIN PLATE PER MIL-T-10727, .000150 MIN. ON TERMINATION END OVER NICKEL PLATE PER QQ-N-290, .000050 MIN.

1. INSULATOR MATERIAL: BLACK, 30% GLASS FILLED THERMOPLASTIC, 94V-0 RATED ROHS COMPLIANT OPERATING TEMP RANGE:-65°C TO +250°C CONTACT MATERIAL: PHOSPHORE BRONZE, ALLOY 5100

NOTES: UNLESS OTHERWISE SPECIFIED

2	A/R	40705-02	SOCK. CONT. PRESS FIT, .100P, .025SQ.
1		40314-XX	2ROW, .100P SOCKET PLASTIC
FIND QTY	PART NO.	DESCRIPTION	

UNLESS OTHERWISE SPECIFIED: DIMENSIONS ARE IN INCHES AND TOLERANCES ARE: FRACTIONS DECIMALS ANGLES ±1/64 .XX ±.02 ±.1°

DRAWN BY: AM	DATE: 12.05.02	TITLE: 2 ROW, .100P, SOCKET	
APPROVED:	DATE:	PC104, NON STACK PRESS FIT	
MATERIAL: SEE NOTE 1	CAT. NO.: 1184PF-XXXX	SIZE/GAGE NO.: A	DWG NO.: 30616
FINISH: SEE NOTE 2	SCALE: 2:1	TOOL: T00131M.DWG	REV: A

