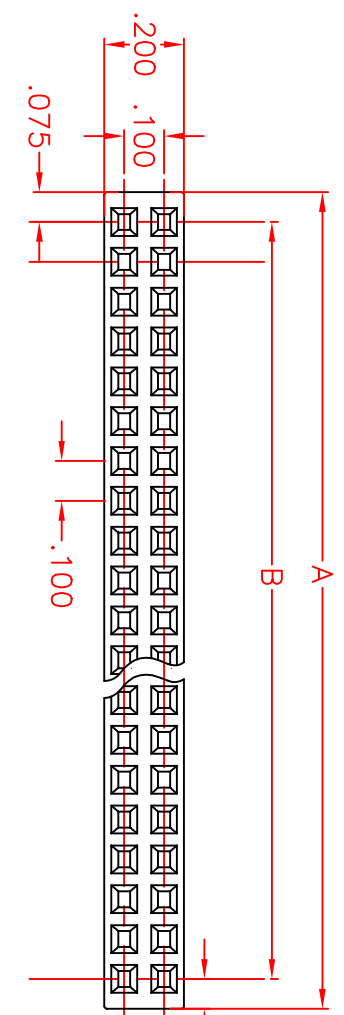
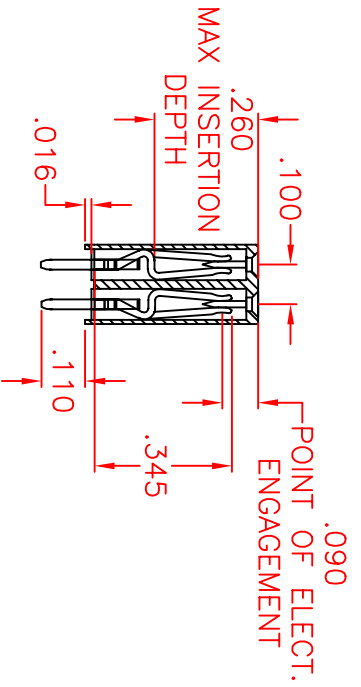
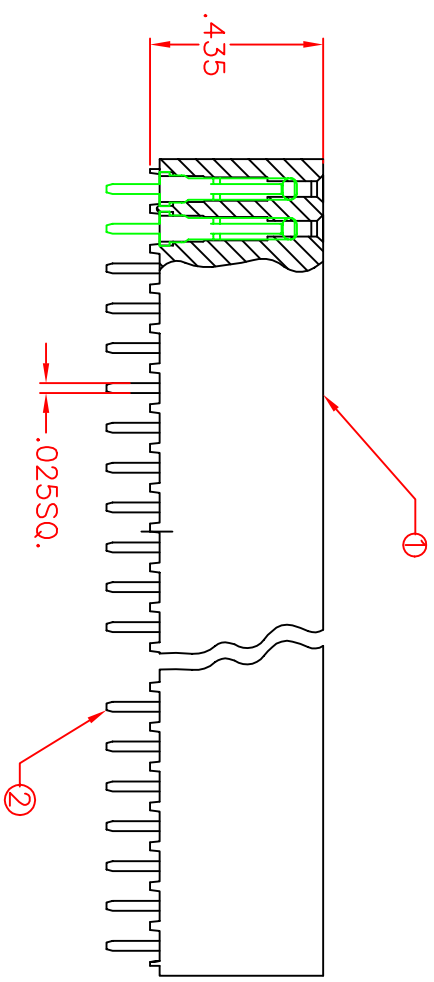


THIS DRAWING CONTAINS PROPRIETARY INFORMATION EXCLUSIVE TO CDM, CONN AND SHALL NOT BE USED FOR REPRODUCTION OR IN ANY MANNER IN PART FOR THE MANUFACTURE, REPAIR OR SERVICE OF ANY PRODUCT EXCEPT AS CDM, CON, VORN, DIVIDE, INC.

REVISIONS			DATE	APPROVED
ECO NO.:	REV:	DESCRIPTION	DATE	APPROVED
91XXX	E	UPDATE	07.11.06	



PART NUMBER	NUMBER OF POS.	DIM 'A'	DIM 'B'
1184-40G2LF	40	2.050	1.900
1184-64G2LF	64	3.250	3.100



- FINISH: G2LF - 10 MICRONS OF GOLD MIN PER MIL-G-45024 TYPE II (ENGAGEMENT END), 150 OF MICRONS PURE BRIGHT TIN PER MIL-T-10727 (SOLDER TAIL END).
 - INSULATOR MATERIAL: BLACK, 30% GLASS FILLED THERMOPLASTIC, 94V-0 RATED ROHS COMPLIANT OPERATING TEMP RANGE: -65°C TO +250°C CONTACT MATERIAL: PHOSPHOR BRONZE, ALLOY 5100
- NOTES: UNLESS OTHERWISE SPECIFIED

2	A/R	40304-02	SOCKET CONTACT, .100P, .0255SQ.
1	1	40314-XX	2ROW, .100P SOCKET PLASTIC
FIND QTY		PART NO.	DESCRIPTION
LIST OF MATERIALS			
UNLESS OTHERWISE SPECIFIED: DIMENSIONS ARE IN INCHES AND TOLERANCES ARE: FRACTIONS DECIMALS ANGLES			
DRAWN BY: AM DATE: 02.01.02			
APPROVED: AM DATE: 02.01.02			
MATERIAL: SEE NOTE 1			
FINISH: SEE NOTE 2			
SCALE: 2:1		TITLE: 2 ROW, .100P, SOCKET PC104 NON STACK THROUGH	
GAT. NO: 1184-XXXX		SIZE (GAGE NO. DWG. NO.): A 30224	
TOOL: T00131M.DWG		REV: E	
SHEET 1 OF 1			



COMM CON WORLDWIDE, INC.
a subsidiary of
INTERCONNECT SYSTEMS INC.