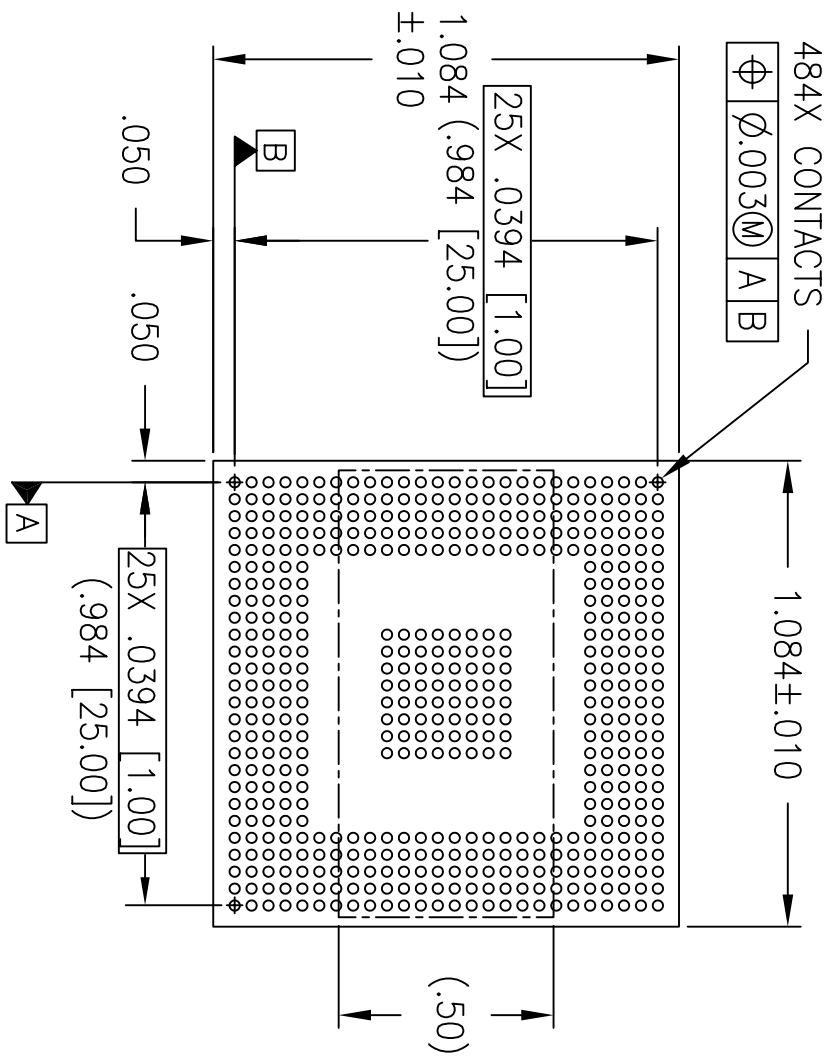
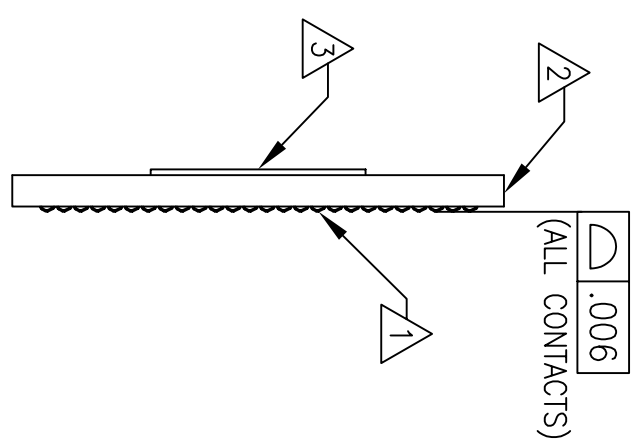


These drawings and specifications are the property of Interconnect Systems Inc., and shall not be reproduced, or copied, or used without prior written permission.

TOP VIEW



RS VIEW




REV	DESCRIPTION	EGN	DATE	APPROVAL
1	SALES RELEASE			

- NOTES:
- CONTACT MATERIAL: BERYLLIUM COPPER.
CONTACT PLATING: HARD GOLD OVER NICKEL.
 - INSULATOR MATERIAL: FR4
 - KAPTON TAPE FOR PICK AND PLACE.

4. REFER TO ISI HILO APPLICATION GUIDELINES FOR LAND PATTERN, STENCIL DESIGN AND KEEP OUT ZONE RECOMMENDATIONS.

CONTRACT NO.		DRAWN BY		DATE		TITLE	
UNLESS OTHERWISE SPECIFIED:		DESIGNER		DATE		HILo SOCKET	
DIMENSIONS ARE IN INCHES		CHECKER		DATE		26 X 26, 484 CONTACTS	
TOLERANCES:						1mm PITCH	
ANGLES:							
FRACTIONS: ± 1/64		DATE		DATE		SCALE: DRAWING NO.	
DECIMALS: ±.010		PROCESS ENG.		DATE		HLS-260484-B-10 1	
.XXX ±.005						SHEET 1 OF 1	
.XXXX ±.0005							


INTERCONNECT SYSTEMS INC.
 708 VIA ALONDRA, CAMARILLO, CA 93012